



AQUASURGE® ADJUSTABLE FLOW POND PUMP

**AquaSurge® 2000-4000
Adjustable Flow Pond Pump**
Item #45009

**AquaSurge® 4000-8000
Adjustable Flow Pond Pump**
Item #45010



aquascapeinc.com



AquaSurge® Adjustable Flow Pond Pump

Thank you for choosing the AquaSurge® Adjustable Flow Pond Pump. At Aquascape, we connect people to water the way nature intended. Since 1991, we've been creating and field-testing water features in order to provide you with the most reliable products and best value in the water gardening industry.



AquaSurge® Adjustable Flow Pond Pumps are submersible pumps made for continuous use in ponds, Pondless® Waterfalls, and other water feature applications. Asynchronous motor technology provides superior reliability and energy efficiency for years of reliable performance. The included Smart Pump Receiver includes an integrated control panel and makes it easy to control your pump with the Aquascape Smart Control App. This instruction manual will guide you through the proper setup and recommended maintenance procedures to ensure long-term effectiveness.

TABLE OF CONTENTS

Introduction	2
Contents	3
Safety Information	3
Specifications Chart	4
Installation	4
General Maintenance	6
Winter Application	7
Troubleshooting	8
Replacement Parts	9
Warranty Information	10

☎ Contact Us

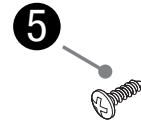
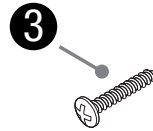
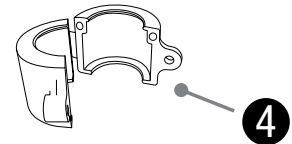
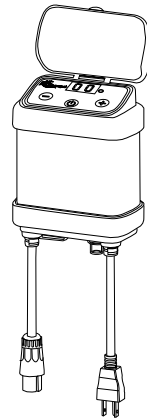
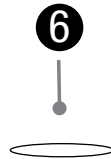
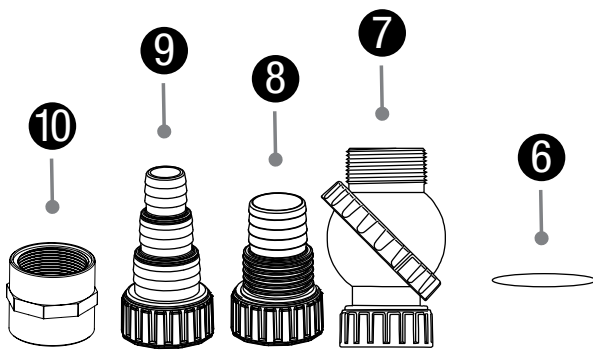
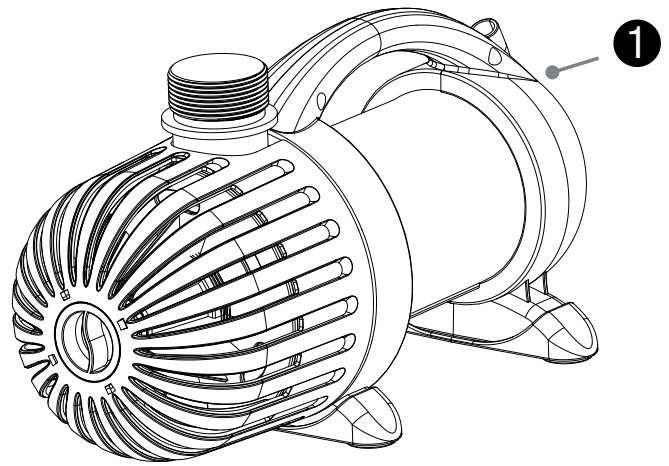
For more information about our company or products, please visit our website at aquascapeinc.com or call US (866) 877-6637 CAN (866) 766-3426.

Find us on:



facebook.com/aquascapeinc
youtube.com/aquascape4
pinterest.com/aquascapeinc

Contents	
No.	Description
1.	AquaSurge Adjustable Flow Pond Pump
2.	Smart Pump Receiver
3.	Receiver Mounting Screw
4.	Cable Connector Restraint
5.	Cable Connector Restraint Screw
6.	Flat Rubber Gasket
7.	1.5" Rotational Ball Output
8.	Multi-hose Adapter 1.5", 2"
9.	Multi-hose Adapter 1", 1.25", 1.5"
10.	1.5" Female Adapter



Safety Information



WARNING: Risk of electric shock – This pump has not been approved for use in swimming pool or marine areas



WARNING: To provide continued protection against risk of electric shock, connect to properly grounded, ground fault circuit interrupter (GFCI) outlets only, using the following guidelines:

- (A) Have a qualified electrician install a properly grounded receptacle outlet, acceptable for outdoor use and protected from snow and rain.
- (B) Inspect cord before using.
- (C) Do not use an extension cord.
- (D) Any wiring of pumps should be performed by a qualified electrician to ensure code compliance and user safety.
- (E) Unplug pump at receptacle outlet when not in use or before removal from pond.

- (F) To reduce risk of electrical shock, all wiring and junction connections should be made per local codes. Requirements may vary depending on usage and location.
- (G) The power cable should be protected at all times to avoid punctures, cuts, bruises and abrasions.
- (H) Never handle power cords with wet hands.
- (I) Do not remove cord and strain relief. Do not connect conduit to pump.
- (J) Do not use power cable to lift pump.



- Always operate the pump fully submerged; or if using in-line, ensure a constant source of fresh water. Failure to do so may overheat the pump and cause it to fail, voiding the warranty.
- Use only in fully assembled state, paying particular attention to ensure that both the outer and inner filter screens are attached to the pump. Failure to operate the pump without the filter screen will allow large debris to enter the pump and cause the pump to fail, voiding the warranty.
- Do not wear loose clothing that may become entangled in the impeller or other moving parts.
- Keep clear of suction and discharge openings. DO NOT insert fingers into pump with power connected.
- Do not pump hazardous materials or liquids, such as oil, saltwater or organic solvents.
- Do not block or restrict discharge.
- Products returned must be cleaned, sanitized, or decontaminated, as necessary, prior to shipment to

ensure that employees will not be exposed to health hazards in handling said material. All applicable laws and regulations shall apply.



IMPORTANT: Aquascape, Inc. is not responsible for losses, injury, or death resulting from a failure to observe these safety precautions, misuse or abuse of pumps or equipment.

AquaSurge Pond Pump Specifications

- Input Voltage: 120V AC
- Input Frequency: 60 Hz
- Submersible pump
- For outdoor or indoor use
- Thermally protected
- This pump has been evaluated for use with water only
- Input amps & wattage

AquaSurge Adjustable Flow Pond Pump Specs

Model Number	2000-4000	4000-8000
Item Number	45009	45010
Average Pond Size Recommendation	2000-4000 Gal / 7 500 - 15 000 L	4000-8000 Gal / 15 000 - 29 500 L
Maximum Flow Rate	3,947 GPH (14 941 l/h)	7,793 GPH (29 500 l/h)
Maximum Head Height	18 ft. (5,65 m)	28 ft. (8,5 m)
Motor Type	Asynchronous	
Wattage	180 - 215*	500 - 660*
Amperage	1.82	5.5
Power Cord Length	20' (6,1 m)	
Discharge Hose Diameter	1", 1.25", 1.5", 2"	
Warranty	3 Year Limited	

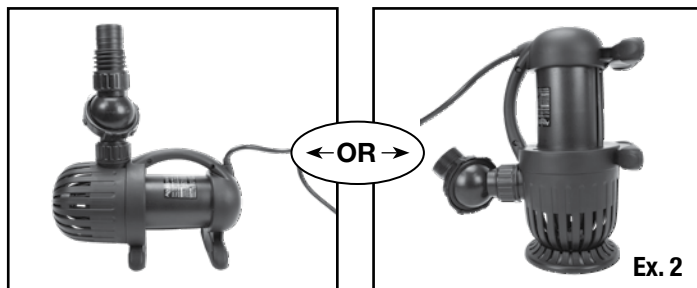
*Wattage range depending on remote control flow setting

Installation

- Do not submerge the AquaSurge Adjustable Flow Pond Pump directly into the pond. This pump is designed to be placed inside a skimmer, Pondless® Waterfall Vault, sump or basin. Please consider Aquascape AquaForce® solids-handling pumps (Ex. 1) if your application does not have a filter and requires a pump that can be placed directly into the pond.



- The AquaSurge Adjustable Flow Pond Pump is designed to be installed horizontally on the vibration and noise reducing rubber feet. The pump can also be mounted vertically, if needed, by attaching the filter stand ring on the outer filter screen, included with your pump (Ex. 2).

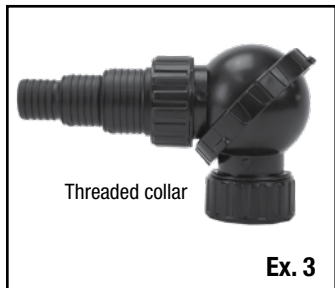


- The AquaSurge includes a wide assortment of fittings. Select the appropriate fitting or fittings needed for your application.

NOTE: If using a check valve, please follow the installation instructions included with the check valve.

- The threaded collar (Ex. 3) on the fittings enables the AquaSurge pump to be installed and removed without the need for any tools.

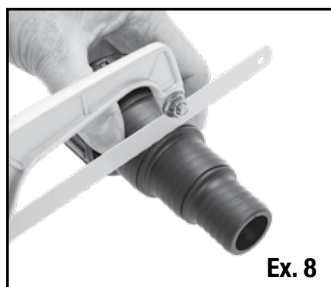
NOTE: Do not use tools to install the fittings to the pump discharge (Ex. 4). Fittings only need to be hand-tight.



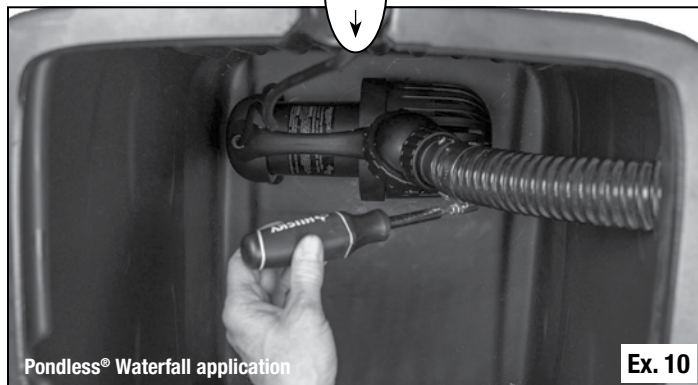
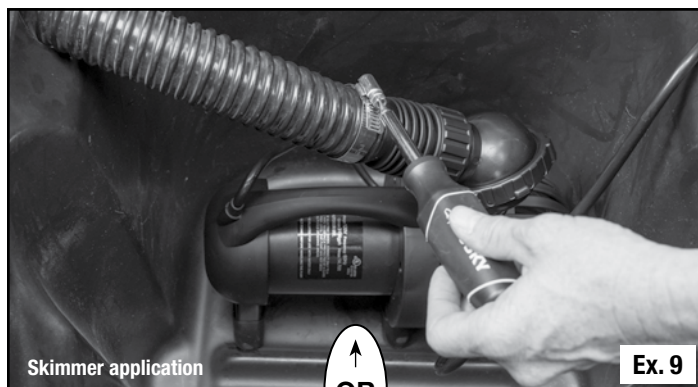
- The versatile rotational ball outlet provided allows you to adjust the pump discharge to the perfect position for your water feature setup. Loosen the threaded collar (Ex. 5) on the rotational ball and rotate to desired position, then tighten. A flat rubber gasket (Ex. 6) is included to ensure a leak-free connection. Make sure this flat rubber gasket is in place before installing the fittings.



- Install the correct multi-hose adapter for the diameter of the tubing you are using (Ex. 7).
- If using a pipe diameter larger than the smallest section of the multi-hose adapter, trim off the smaller sections to avoid flow restriction (Ex. 8).



- In some instances the tubing may be tight or difficult to connect to the fitting. If this is the case, we recommend heating the hose with a hair dryer or dipping the hose for a few seconds in very hot water. Lubrication can also be used; we recommend silicone grease or olive oil. Put the fitting on the pump before attaching the tubing/hose. Once the fitting is in place, attach the tubing/hose onto the fitting with a twisting motion.
- Lower the pump into the skimmer (Ex. 9) or Pondless® Waterfall Vault (Ex. 10) and rotate the rotational ball output to line up with the tubing. Attach tubing to the fitting and then tighten a hose clamp (not included) to secure tubing onto the fitting.



↑
OR
↓

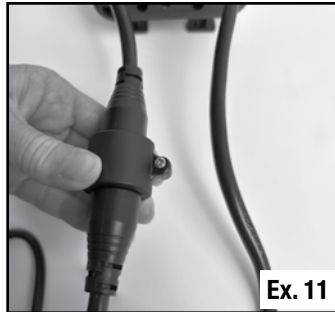
IN-LINE OPERATION

- The AquaSurge pump can also be operated in-line by attaching a pipe connected directly from the pond (or aquarium) pump inlet. In this case the water must be pre-filtered of debris to prevent damage to the pump. The pump must NEVER be operated dry without water. This pump is water-cooled and requires water flowing through the pump at all times to operate correctly and stay cooled.
- Failure to provide constant access to water may overheat the pump and cause it to fail, voiding the warranty.

SMART PUMP RECEIVER SETUP

- Mount the receiver above the ground on a post, fence, or wall. Avoid installing this device in direct sunlight. Install in a cool shaded area if possible.

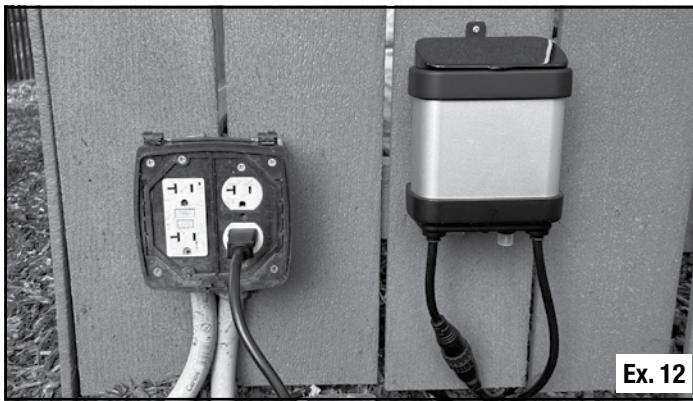
- Connect the pump to the Smart Pump Receiver.



Ex. 11

NOTE: Cable Connector Restraint included to further secure the connection (Ex. 11).

- Plug the Smart Pump Receiver into an outdoor-rated GFCI, and the unit will automatically enter pairing mode (Ex. 12).



Ex. 12

NOTE: The blinking blue light on the face of the unit indicates the receiver is in pairing mode and ready to be connected.

- Download the Aquascape Smart Control App (available on iOS or Android App Store).
- Open the Aquascape Smart Control App and click 'Create New Account' (Ex. 13).

NOTE: If you already have an account, login with your username and password.

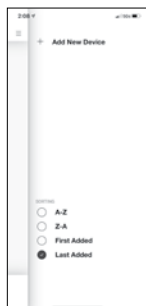
- Once logged in, click the three dashes in the upper right-hand corner of the home screen (Ex. 14).
- Click 'Add New Device' (Ex. 15).



Ex. 13



Ex. 14



Ex. 15

- Continue to follow the onscreen instructions to connect your device.

NOTE: Adequate WiFi coverage is required (2.4g networks supported).

- Continue to follow on-screen instructions to complete the pairing process.
- To reset the device to factory defaults, first turn the unit off by pressing the power button, then press and hold the + and - buttons for four seconds and release when the LED display lights up completely (Ex. 16).

NOTE: This process must be completed within one minute of plugging the unit into power.



Ex. 16

- The receiver includes a switch that allows the pump to be operated in the two following modes (Ex. 17).



Ex. 17

- Position 1 - Operated by Aquascape Smart Control App or remote control
- Position 2 - Bypass control, and operate at full flow-rate

- In the event of a power loss, the pump will revert to the last flow rate setting.

NOTE: The receiver includes an internal circuit breaker. This will shut down the unit to protect the receiver from high voltage, pump shorts, etc. If engaged, the reset button, located at the bottom, will automatically pop out. If this occurs, replace the pump and press the reset button.

General Maintenance

- It is recommended to inspect your pump on a regular basis to make sure it is functioning properly.

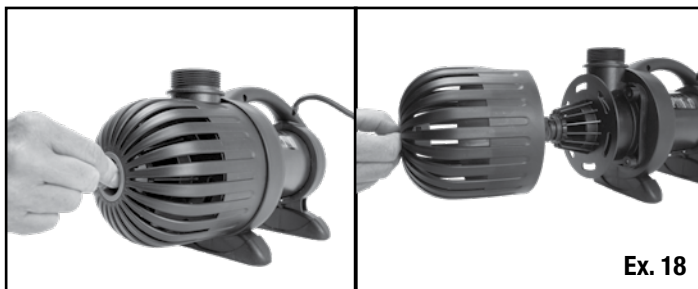
NOTE: Always disconnect the power before performing maintenance on the pump.

FILTER SCREEN CLEANING

- A filter screen clogged with debris will reduce the water flow rate.
- Remove any existing debris from the outside of the filter screen.
- In situations with excess debris buildup, the pump screens will need to be removed for a more thorough cleaning.

NOTE: Do not remove the outer or inner filter screens while operating the pump, as failure to do so may cause the pump to fail, voiding the warranty.

- The outer screen can be removed by twisting the locking knob counter-clockwise and pulling the screen off (Ex. 18).



Ex. 18

- The inner filter screen can be removed by unscrewing counterclockwise (Ex. 19).

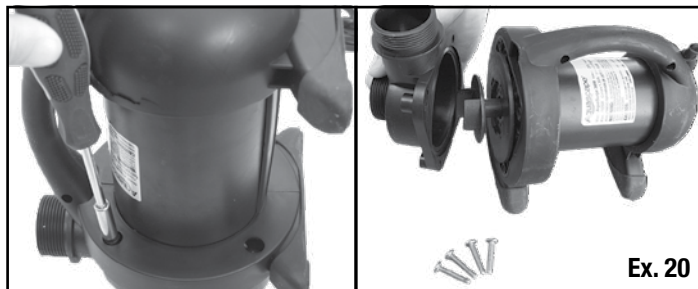


Ex. 19

NOTE: Be sure to replace the screens before operating the pump, as failure to do so may cause the pump to fail, voiding the warranty.

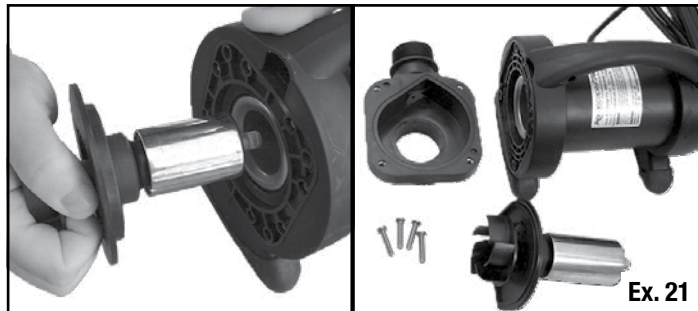
IMPELLER/ROTOR CLEANING

- Remove the four screws to disconnect the water chamber cover (Ex. 20).



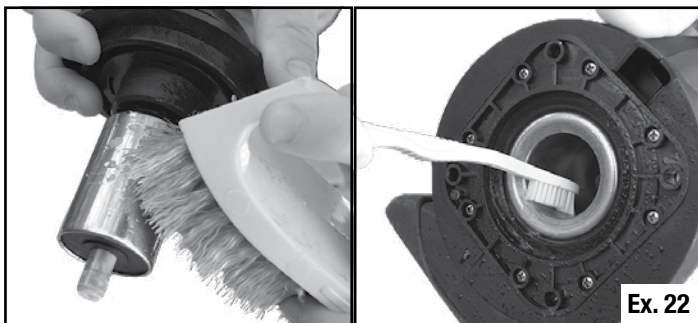
Ex. 20

- Remove the impeller by pulling gently (Ex. 21).



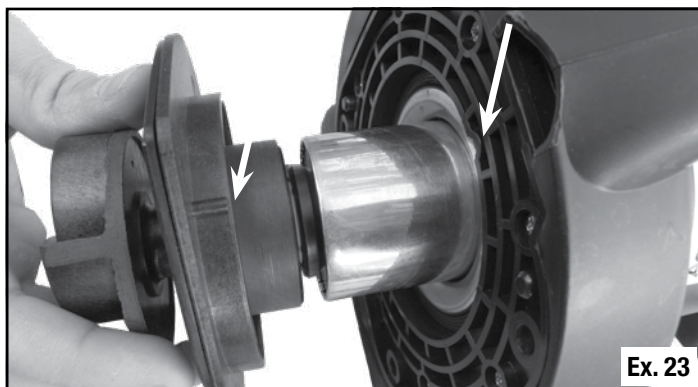
Ex. 21

- Clean the impeller and internal pump body with Aquascape Pump Cleaner Maintenance Solution (#91143), using a sponge or soft-bristle brush (Ex. 22).



Ex. 22

- Re-install the impeller, making sure the gasket is in place and the raised key on the impeller flange is aligned with the matching notch in the face of the pump flange (Ex. 23).



Ex. 23

Winter Application

- If running through winter conditions, check regularly to make sure it is functioning properly and ice is not preventing water from reaching the pump. In the event of a power failure, the pump should be removed to prevent any freeze damage to the pump or the piping.
- If concerned about possible freeze damage, disconnect and remove the pump. Be careful not to lose the flat rubber washer. Clean with fresh water and store the pump in a frost-free location. If needed, use Aquascape Pump Cleaner Maintenance Solution (#91143) to remove excessive buildup.

Troubleshooting

- Reduced water flow
 - Check the outer and inner filter screens
- Pump hums but doesn't push water
 - The pump or plumbing may be clogged
 - Make sure nothing is blocking the intake
 - Clean the inner and outer screens
 - Clean the impeller rotor assembly and internal pump body
 - Make sure the pump is receiving the correct voltage
 - Make sure the impeller blades are not worn or damaged
- Pump not working
 - Ground fault circuit interrupter (GFCI) may have tripped
 - The pump is not receiving the correct voltage
- Device won't pair
 - Make sure the outlet is receiving power
 - Make sure you have adequate wireless coverage to connect the device
 - Reset the device to factory defaults
 - Make sure the ground fault circuit interrupter (GFCI) is not tripped
- Receiver displays an E1 message
 - This means the input voltage going to the receiver is greater than 142 volts. Have an electrician inspect the outlet you have the receiver plugged into
- Receiver displays an E2 message
 - Receiver is overheating - make sure the receiver is in a shady or cooler area away from direct, intense sunlight
- Receiver turns off with reset on bottom triggered
 - Replace pump and engage reset button

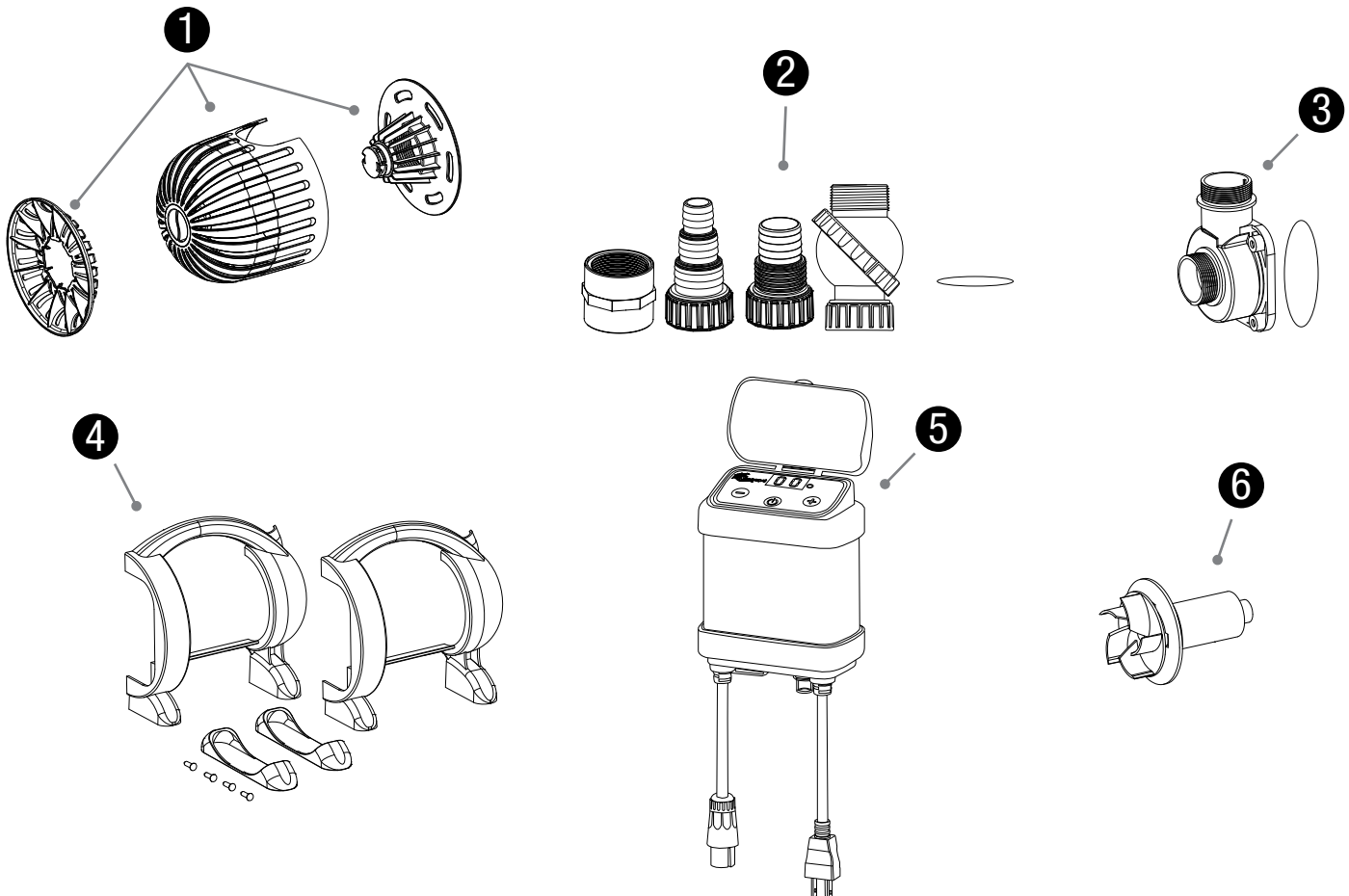
Replacement Parts

AquaSurge 2000-4000 Adjustable Flow Pond Pump Replacement Parts

No.	Item Number/Description
1.	91064 – AquaSurge 2000-4000 (G2) Intake Screen Kit
2.	91065 – AquaSurge (G2) Discharge Fitting Kit
3.	91067 – AquaSurge 4000/5000 (G2) Water Chamber Cover & O-Ring Kit
4.	91069 – AquaSurge 4000/5000 (G2) Pump Handle and Feet Kit
5.	45064 – Smart Pump Receiver
6.	45016 – AquaSurge2000-4000 Adjustable Flow Replacement Impeller Kit

AquaSurge 4000-8000 Adjustable Flow Pond Pump Replacement Parts

No.	Item Number/Description
1.	45011 – AquaSurge 4000-8000 Adjustable Flow Intake Screen Kit
2.	91065 – AquaSurge (G2) Discharge Fitting Kit
3.	45014 – AquaSurge 4000-8000 Adjustable Flow Water Chamber Cover & O-Ring Kit
4.	45012 – AquaSurge 4000-8000 Adjustable Flow Pump Handle & Feet Kit
5.	45064 – Smart Pump Receiver
6.	45017 – AquaSurge 4000-8000 Adjustable Flow Replacement Impeller Kit



Warranty Information

3 YEAR WARRANTY

Aquascape warrants that the AquaSurge Adjustable Flow Pond Pump will be free of manufacturing defects for three years from date of purchase. Proof of purchase required. Warranty does not cover damage resulting from electrical supply problems, improper wiring, lightning, negligent handling, misapplication, misuse, or lack of reasonable maintenance or care. Warranty does not cover parts subject to normal wear, such as impellers. This product should only be operated with constant, unrestricted access to fresh water, without corrosive chemicals like chlorine or bromine. Running the pump dry, or without sufficient water, can cause the internal components to overheat and damage the pump. If upon Aquascape's inspection, the pump shows evidence of a manufacturing defect, Aquascape's liability is limited, at Aquascape's option, to the repair of the defect, replacement of the defective product, or refund of the original purchase price. The warranty excludes costs of labor, removal of product, shipping and expenses related to the installation and re-installation of the product. All products that include plumbing (tubing, pumps, check valves) need to be properly drained and winterized otherwise warranty is null and void. No liability for loss or damage of any nature or kind, whether arising out of or from the use of the product, whether defective or not defective, is assumed by Aquascape, Inc. or its affiliates. Aquascape shall not be liable for any incidental, consequential or other damages arising under any theory of law whatsoever.

For more information about our company or products, please visit our website at aquascapeinc.com
or call us at US (866) 877-6637 CAN (866) 766-3426



AQUASURGE® ADJUSTABLE FLOW POND PUMP

**AquaSurge® 2000-4000
Adjustable Flow Pond Pump**
Référence #45009

**AquaSurge® 4000-8000
Adjustable Flow Pond Pump**
Référence #45010



aquascapeinc.com



AquaSurge® Adjustable Flow Pond Pump

Nous vous remercions d'avoir choisi la pompe de bassin à débit réglable AquaSurge^{MD}. Chez Aquascape, nous connectons les gens à l'eau comme le veut la nature. Depuis 1991, nous créons et testons sur le terrain des caractéristiques d'eau afin de vous fournir les produits les plus fiables et le meilleur rapport qualité-prix dans l'industrie de l'eau.

Les pompes de bassin à débit réglable AquaSurge^{MD} sont des pompes submersibles conçues pour une utilisation continue dans les étangs, les cascades Pondless^{MD} et d'autres applications de jeux d'eau. La technologie des moteurs asynchrones offre une fiabilité et une efficacité énergétique supérieures pour des années de performances fiables. Le récepteur de pompe intelligent inclus comprend un panneau de commande intégré et facilite le contrôle de votre pompe avec l'application Aquascape Smart Control. Ce manuel d'instructions vous guidera à travers la configuration appropriée et les procédures de maintenance recommandées pour garantir efficacité à long terme.



TABLE DES MATIÈRES

Introduction	12
Contenu	13
Renseignements de sécurité	13
Tableau des caractéristiques	14
Installation	14
Entretien général	16
Application d'hiver	18
Dépannage.....	18
Pièces de rechange	19
Informations sur la garantie	20

☎ Communiquez avec nous

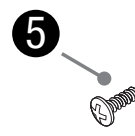
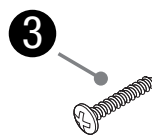
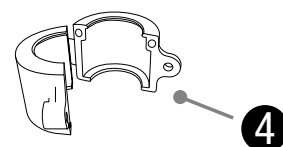
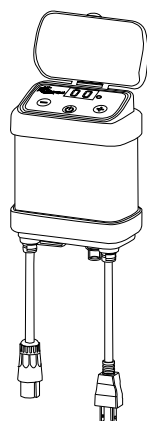
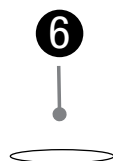
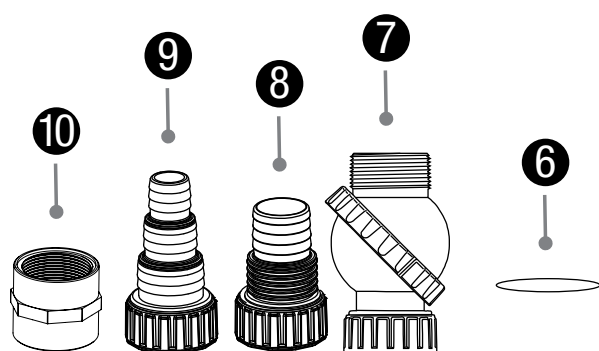
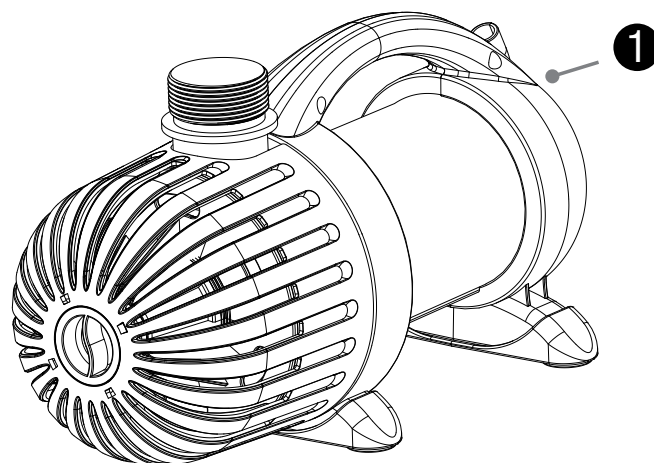
Pour plus de renseignements sur notre entreprise ou nos produits, veuillez vous rendre sur notre site Web aquascapeinc.com ou appeler le (866) 877-6637 (aux É.-U.) ou le (866) 766-3426 (au Canada).

Rejoignez-nous sur :



facebook.com/aquascapeinc
youtube.com/aquascape4
pinterest.com/aquascapeinc

Contenu	
N°	Description
1.	Pompe de bassin à débit réglable AquaSurge
2.	Récepteur Smart Pump
3.	Vis de montage du récepteur
4.	Retenue du connecteur de câble
5.	Vis de retenue du connecteur de câble
6.	Joint statique plat en caoutchouc
7.	Sortie à rotule orientable 1,5 po
8.	Raccord réducteur 1,5 po, 2 po
9.	Raccord réducteur 1 po, 1,25 po, 1,5 po
10.	Adaptateur femelle 1,5 po



Renseignements de sécurité



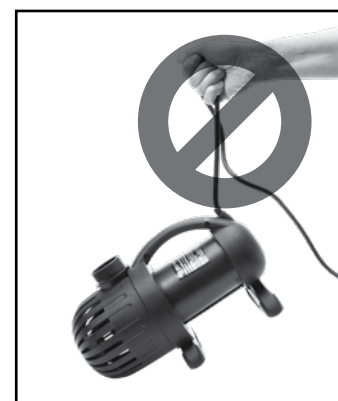
MISE EN GARDE : risque de choc électrique
– Cette pompe n'a pas été approuvée pour une utilisation en piscine ou en zones marines.



MISE EN GARDE : Afin d'assurer une protection continue contre le risque de décharge électrique, ne branchez le cordon qu'à une prise d'alimentation avec mise à la terre, en observant les directives suivantes :

- (A) Faites installer une prise de courant correctement mise à la terre convenant à une utilisation extérieure et protégée de la neige et de la pluie
- (B) Inspectez le cordon d'alimentation avant l'utilisation
- (C) N'utilisez pas de rallonge électrique
- (D) Tout câblage relié à la pompe devrait être exécuté par un électricien qualifié pour être en conformité avec les normes et s'assurer de la sécurité de l'utilisateur
- (E) Débranchez la pompe de la prise de courant lorsque vous ne vous en servez pas ou avant de la sortir du plan d'eau

- (F) Pour réduire le risque de décharge électrique, tout le câblage et les raccordements de jonction devraient être exécutés selon les normes locales. Les exigences peuvent varier en fonction de l'utilisation et de l'emplacement
- (G) Le câble électrique devrait être protégé en tout temps pour éviter les perforations, les coupures, les ecchymoses et les abrasions
- (H) Ne manipulez jamais les cordons d'alimentation avec les mains humides
- (I) N'enlevez pas le cordon et le dispositif de réduction de la tension. Ne joignez pas le conduit à la pompe
- (J) Ne soulevez pas la pompe par le cordon d'alimentation



- Faites fonctionner la pompe uniquement lorsqu'elle est entièrement submergée; ou si vous l'utilisez sans l'immerger, assurez-vous de maintenir une source constante d'eau douce. Ne pas faire ceci entraînera un surchauffement de la pompe et causera une défaillance de fonctionnement annulant ainsi la garantie.
- N'utilisez que lorsque la pompe est entièrement assemblée, prêtant une attention particulière aux grilles de filtration tant extérieures qu'intérieures pour s'assurer qu'elles soient fixées à la pompe. Faire fonctionner la pompe sans la grille de filtration permettra à des débris de grande taille d'entrer dans la pompe entraînant ainsi sa défaillance et annulant de ce fait la garantie.
- Ne portez pas de vêtements amples qui peuvent s'empêtrer dans la turbine ou dans d'autres pièces en mouvement.
- Tenez-vous en permanence à l'écart des ouvertures d'aspiration et de refoulement. NE PAS insérer les doigts dans la pompe quand elle est branchée sur une source d'alimentation électrique.
- Ne pompez pas de matières dangereuses ou des liquides, tels que l'huile, l'eau salée ou les solvants biologiques.
- Ne bloquez ni ne restreignez la sortie de la pompe.

- Les produits retournés doivent être nettoyés, désinfectés ou décontaminés au besoin, avant l'expédition pour s'assurer que les employés ne soient pas exposés à des risques pour la santé lors de la manutention dudit matériel. Toutes lois et tous règlements en vigueur seront applicables.



IMPORTANT : Aquascape inc. n'est nullement responsable des pertes, blessures ou décès résultant du non-respect de ces consignes, d'une mauvaise utilisation ou d'une utilisation abusive de la pompe ou de l'équipement.

Spécifications de la pompe de bassin AquaSurge

- Tension d'entrée : 120 V c.a.
- Fréquence d'entrée : 60 Hz
- Pompe submersible
- Pour utilisation extérieure ou intérieure
- Protection thermique
- Pompe évaluée en utilisation avec de l'eau seulement
- Intensité de courant d'entrée et puissance en watts

Spécifications de la pompe de bassin à débit réglable AquaSurge

Numéro de modèle	2000-4000	4000-8000
Référence	45009	45010
Taille moyenne de bassin recommandée	2000-4000 Gal / 7 500 - 15 000 L	4000-8000 Gal / 15 000 - 29 500 L
Débit maximal	3,947 GPH (14 941 l/h)	7,793 GPH (29 500 l/h)
Hauteur de chute d'eau maximale	18 pi (5,65 m)	28 pi (8,5 m)
Type de moteur	Asynchrone	
Puissance en watts	180 - 215*	500 - 660*
Intensité en ampères	1,82	5,5
Longueur du cordon d'alimentation	20 pi (6,1 m)	
Diamètre du tuyau de refoulement	1 po, 1,25 po, 1,5 po, 2 po	
Garantie	Limitée de 3 ans	

*Plage de puissances en fonction du réglage du débit par télécommande

Installation

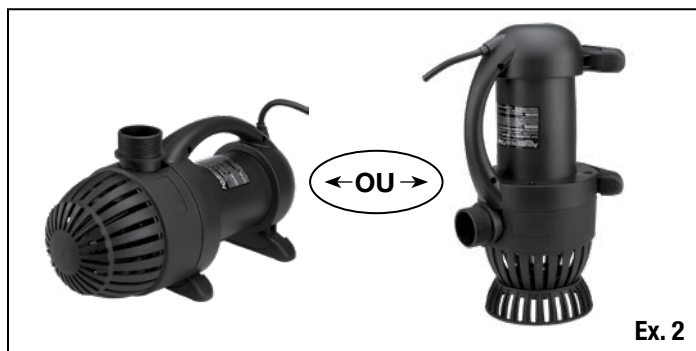
- Ne plongez pas la pompe de bassin à débit réglable AquaSurge directement dans l'étang. Cette pompe est conçue pour être placée à l'intérieur d'un skimmer, d'un Pondless^{MD} Waterfall Vault, d'un puisard ou d'un bassin. Veuillez envisager les pompes de traitement des solides Aquascape AquaForce^{MD} (Ex. 1) si votre application n'a pas de filtre et nécessite une pompe qui peut être placée directement dans l'étang.
- La pompe de bassin à débit réglable AquaSurge est

AquaForce étang de la pompe



Ex. 1

conçue pour être installée horizontalement sur les pieds en caoutchouc réduisant les vibrations et le bruit. La pompe peut également être montée verticalement, si nécessaire, en fixant la bague de support de filtre sur le filtre extérieur, inclus avec votre pompe (Ex. 2).



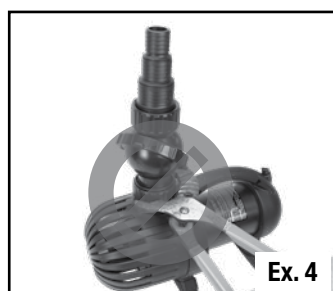
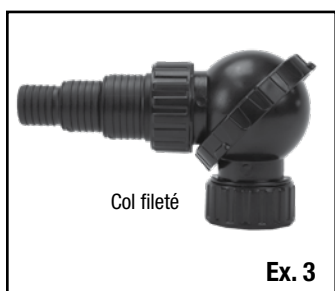
Ex. 2

- L'AquaSurge comprend un large assortiment de raccords. Sélectionnez le ou les raccords appropriés nécessaires à votre application.

REMARQUE : Si vous utilisez un clapet anti-retour, veuillez suivre les instructions d'installation fournies avec le clapet anti-retour.

- Le collier fileté (Ex. 3) sur les raccords permet d'installer et de retirer la pompe AquaSurge sans avoir besoin d'aucun outil.

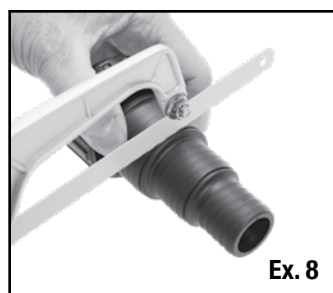
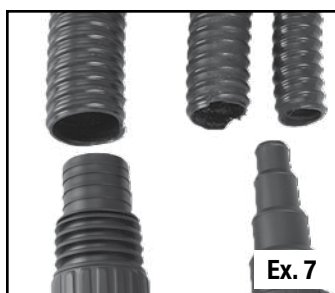
REMARQUE : Ne pas utiliser d'outils pour installer les raccords au refoulement de la pompe (Ex. 4). Les raccords doivent uniquement être serrés à la main.



- La sortie à bille rotative polyvalente fournie vous permet d'ajuster le refoulement de la pompe à la position parfaite pour la configuration de votre jeu d'eau. Desserrez le collier fileté (Ex. 5) sur la boule rotative et tournez-la jusqu'à la position souhaitée, puis serrez. Un joint plat en caoutchouc (Ex. 6) est inclus pour garantir une connexion sans fuite. Assurez-vous que ce joint plat en caoutchouc est en place avant d'installer les raccords.

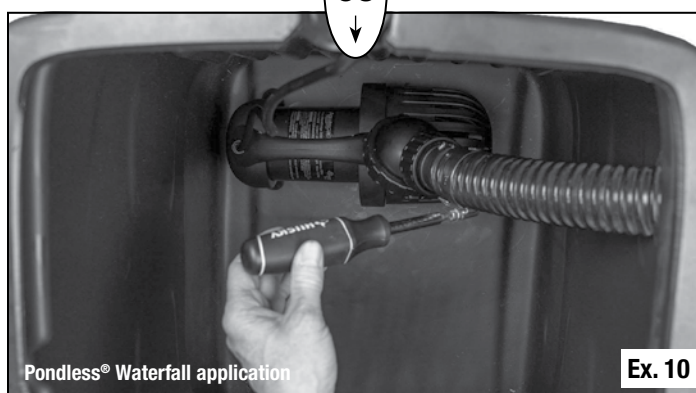
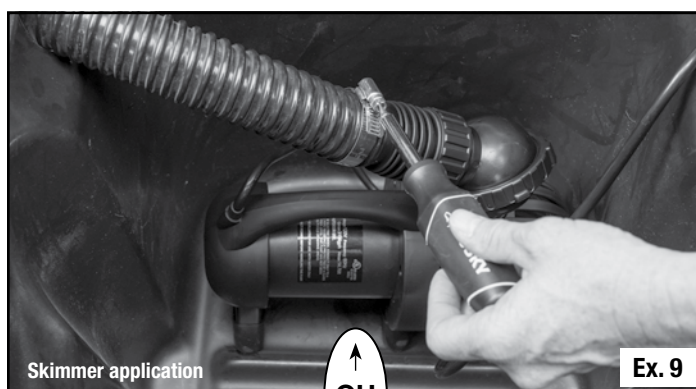


- Installez l'adaptateur multi-tuyaux adapté au diamètre du tube que vous utilisez (Ex. 7).
- Si vous utilisez un diamètre de tuyau supérieur à la plus petite section de l'adaptateur pour flexibles multiples, coupez les plus petites sections afin d'éviter toute restriction de débit (Ex. 8).



- Dans certains cas, le tube peut être serré ou difficile à connecter au raccord. Dans ce cas, nous vous recommandons de chauffer le tuyau avec un sèche-cheveux ou de le plonger quelques secondes dans de l'eau très chaude. La lubrification peut également être utilisée. nous recommandons la graisse de silicone ou l'huile d'olive. Placez le raccord sur la pompe avant de raccorder le tuyau / flexible. Une fois que le raccord est en place, fixez le tuyau / flexible sur le raccord avec un mouvement de torsion.

- Abaissez la pompe dans l'écumoire (Ex. 9) ou la chambre forte en cascade Pondless^{MD} (Ex. 10) et faites pivoter la sortie de la boule rotative pour l'aligner avec le tube. Fixez le tube au raccord, puis serrez un collier de serrage (non inclus) pour fixer le tube sur le raccord.



↑
OU
↓

OPÉRATION EN LIGNE

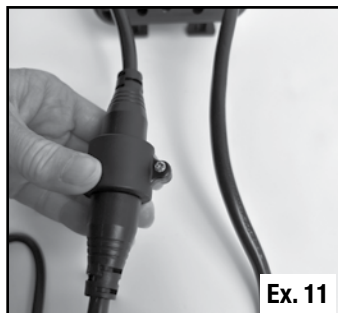
- La pompe AquaSurge peut également fonctionner en ligne en fixant un tuyau directement connecté à l'entrée de la pompe de l'étang (ou de l'aquarium). Dans ce cas, l'eau doit être pré-filtrée de débris pour éviter d'endommager la pompe. La pompe ne doit JAMAIS être utilisée à sec sans eau. Cette pompe est refroidie à l'eau et nécessite à tout moment que de l'eau passe dans la pompe pour fonctionner correctement et rester refroidie.
- Le fait de ne pas fournir un accès constant à l'eau peut surchauffer la pompe et provoquer sa panne, annulant ainsi la garantie.

CONFIGURATION DU RÉCEPTEUR SMART PUMP

- Montez le récepteur au-dessus du sol sur un poteau, une clôture ou un mur. Évitez d'installer cet appareil à la lumière directe du soleil. Installer dans un endroit frais et ombragé si possible.

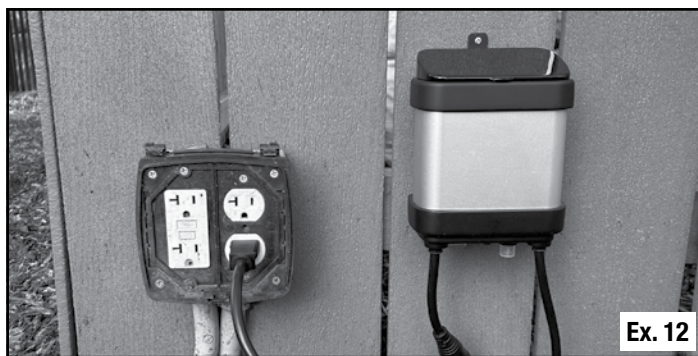
- Connectez la pompe au récepteur de pompe intelligente.

REMARQUE : Dispositif de retenue du connecteur de câble inclus pour sécuriser davantage la connexion (Ex. 11).



Ex. 11

- Branchez le récepteur de pompe intelligente sur un GFCI pour l'extérieur et l'unité entrera automatiquement en mode d'appairage (Ex. 12).



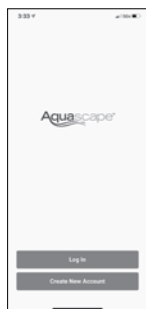
Ex. 12

REMARQUE : Le voyant bleu clignotant sur la face avant de l'appareil indique que le récepteur est en mode d'appairage et prêt à être connecté.

- Téléchargez l'application Aquascape Smart Control (disponible sur iOS ou Android App Store)
- Ouvrez l'application Aquascape Smart Control et cliquez sur "Créer un nouveau compte" (Ex. 13).

REMARQUE : Si vous avez déjà un compte, connectez-vous avec votre nom d'utilisateur et votre mot de passe.

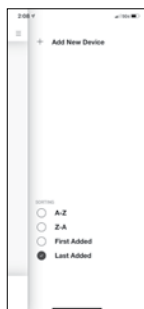
- Une fois connecté, cliquez sur les trois tirets dans le coin supérieur droit de l'écran d'accueil (Ex. 14).
- Cliquez sur 'Ajouter un nouveau périphérique' (Ex. 15).



Ex. 13



Ex. 14



Ex. 15

- Continuez à suivre les instructions à l'écran pour connecter votre appareil.

REMARQUE : Une couverture WiFi adéquate est requise (2,4 g réseaux pris en charge).

- Continuez à suivre les instructions à l'écran pour terminer le processus de jumelage.
- Pour réinitialiser l'appareil aux paramètres d'usine par défaut, éteignez d'abord l'appareil en appuyant sur le bouton d'alimentation, puis maintenez les boutons + et - enfoncés pendant quatre secondes et relâchez lorsque l'affichage LED s'allume complètement (Ex. 16).

REMARQUE : ce processus doit être terminé dans la minute suivant la mise sous tension de l'unité.



Ex. 16

- Le récepteur comprend un commutateur qui permet de faire fonctionner la pompe dans les deux modes suivants (Ex. 17).



Ex. 17

- Position 1 - Exploité par l'application Aquascape Smart Control ou par télécommande
- Position 2 - Commande de dérivation et fonctionnement à plein débit

- En cas de coupure de courant, la pompe revient au dernier réglage de débit.

REMARQUE : Le récepteur comprend un disjoncteur interne. Cela arrêtera l'appareil pour protéger le récepteur de la haute tension, des courts-circuits de la pompe, etc. S'il est activé, le bouton de réinitialisation, situé en bas, sortira automatiquement. Si cela se produit, remplacez la pompe et appuyez sur le bouton de réinitialisation.

Entretien général

- Il est recommandé d'inspecter régulièrement votre pompe pour vous assurer qu'elle fonctionne correctement.

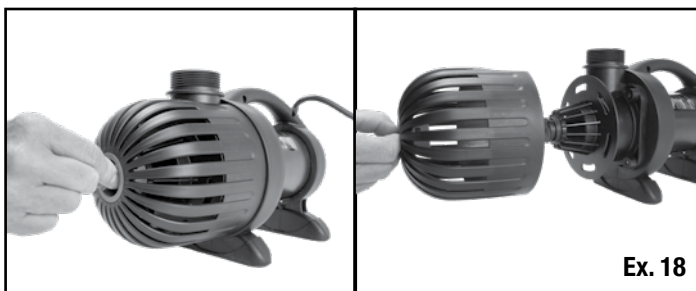
REMARQUE : Toujours déconnecter l'alimentation avant de procéder à la maintenance de la pompe.

NETTOYAGE DES FILTRES

- Un tamis filtre obstrué par des débris réduira le débit d'eau.
- Retirez tous les débris existants de l'extérieur de l'écran du filtre.
- Dans les situations d'accumulation excessive de débris, les tamis de la pompe devront être retirés pour un nettoyage plus approfondi.

REMARQUE : Ne retirez pas les tamis filtrants extérieur ou intérieur pendant le fonctionnement de la pompe, faute de quoi la pompe pourrait tomber en panne, ce qui annulerait la garantie.

- L'écran extérieur peut être retiré en tournant le bouton de verrouillage dans le sens inverse des aiguilles d'une montre et en tirant sur l'écran (Ex. 18).



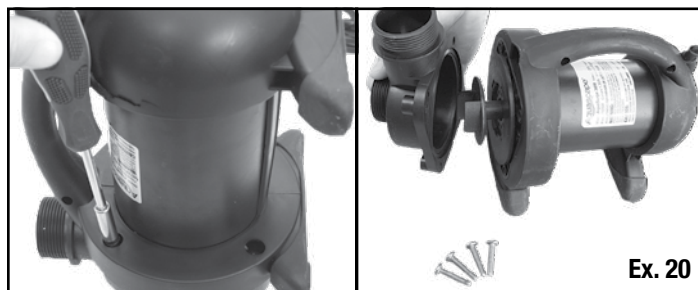
- Le filtre interne peut être retiré en dévissant dans le sens antihoraire (Ex. 19).



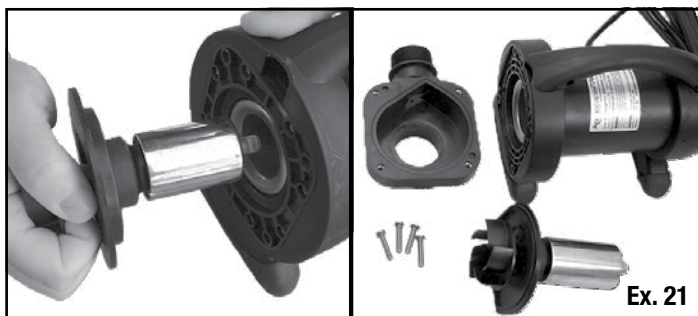
REMARQUE : Assurez-vous de remplacer les tamis avant de faire fonctionner la pompe, faute de quoi la pompe pourrait tomber en panne, ce qui annulerait la garantie.

NETTOYAGE DE ROUE / ROTOR

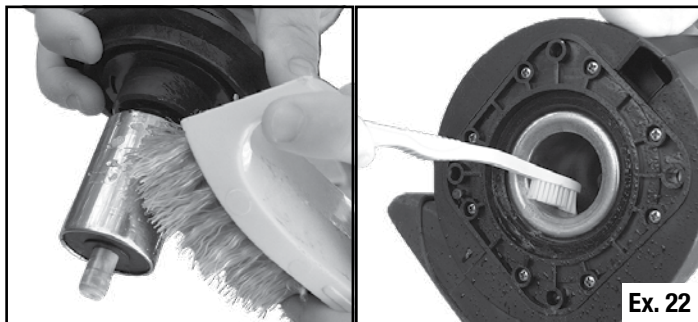
- Retirez les quatre vis pour déconnecter l'eau couvercle de chambre (Ex. 20).



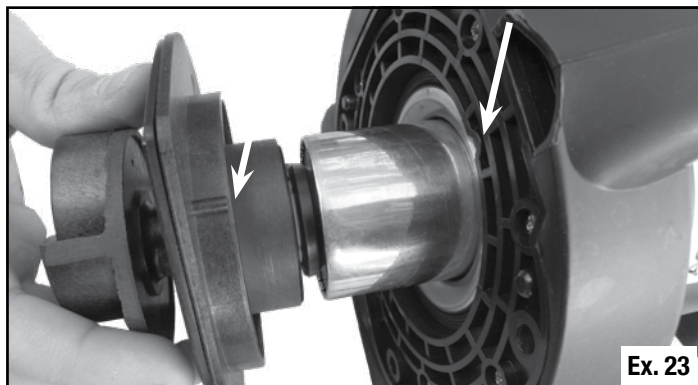
- Retirer la roue en tirant doucement (Ex. 21).



- Nettoyer la turbine et le corps de pompe interne avec la solution d'entretien pour nettoyant de pompe Aquascape (n° 91143) à l'aide d'une éponge ou d'une brosse à soies souples (Ex. 22).



- Réinstallez la roue en vous assurant que le joint est en place et que la clé surélevée de la bride de la roue est alignée sur l'encoche correspondante sur la face de la bride de la pompe (Ex. 23).



Application d'hiver

- Si vous courez dans des conditions hivernales, vérifiez régulièrement qu'il fonctionne correctement et que la glace n'empêche pas l'eau d'atteindre la pompe. En cas de panne de courant, la pompe doit être retirée pour éviter tout dommage dû au gel de la pompe ou de la tuyauterie.
 - Si vous craignez des dégâts dus au gel, débranchez et retirez la pompe. Veillez à ne pas perdre la rondelle plate en caoutchouc. Nettoyez à l'eau douce et rangez la pompe dans un endroit à l'abri du gel. Si nécessaire, utilisez la solution d'entretien Aquascape Pump Cleaner (n ° 91143) pour éliminer les accumulations excessives.
-

Dépannage

- Débit d'eau réduit
 - Vérifiez les filtres extérieurs et intérieurs
- La pompe bourdonne mais ne pousse pas l'eau
 - La pompe ou la plomberie est peut-être bouchée
 - Assurez-vous que rien ne bloque l'apport
 - Nettoyer les écrans intérieurs et extérieurs
 - Nettoyer le rotor et le corps de pompe interne
 - Assurez-vous que la pompe reçoit la tension correcte
 - Assurez-vous que les pales de la turbine ne sont ni usées ni endommagées
- La pompe ne fonctionne pas
 - Le disjoncteur de fuite à la terre (GFCI) s'est peut-être déclenché
 - La pompe ne reçoit pas la tension correcte
- L'appareil ne sera pas jumelé
 - Assurez-vous que la prise est alimentée
 - Assurez-vous de disposer d'une couverture sans fil adéquate pour connecter l'appareil
 - Réinitialiser l'appareil aux paramètres d'usine
 - Assurez-vous que le disjoncteur de fuite à la terre (GFCI) n'est pas déclenché
- Le récepteur affiche un message E1
 - Cela signifie que la tension d'entrée allant au récepteur est supérieure à 142 volts. Demandez à un électricien d'inspecter la prise dans laquelle vous avez branché le récepteur
- Le récepteur affiche un message E2
 - Le récepteur surchauffe - assurez-vous que le récepteur se trouve dans une zone ombragée ou plus fraîche, à l'abri de la lumière directe et intense du soleil
- Le récepteur s'éteint avec la réinitialisation en bas déclenchée
 - Remplacez la pompe et engagez le bouton de réinitialisation

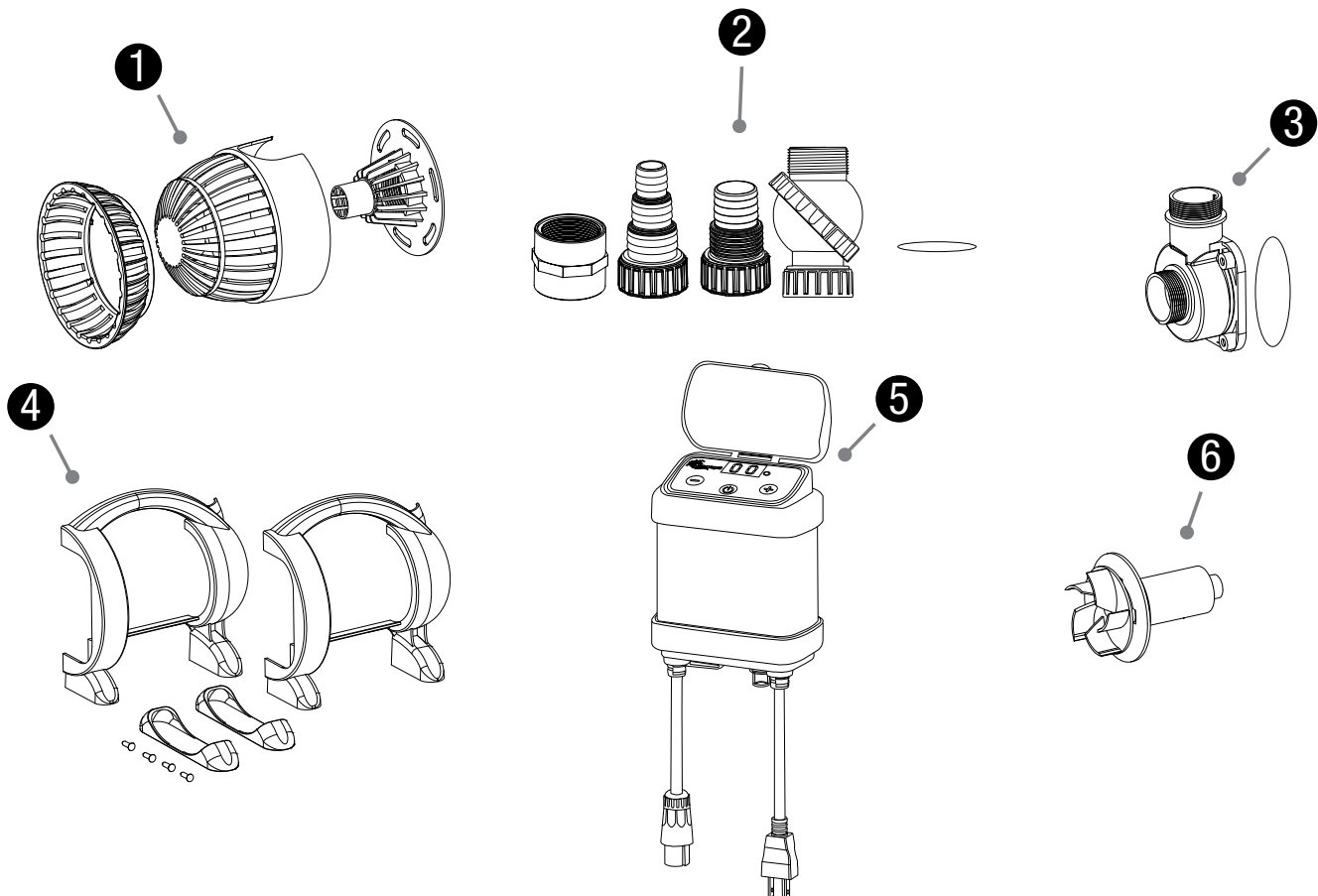
Pièces de rechange

Pièces de rechange pour pompes de bassin AquaSurge 2000-4000 à débit réglable

N°	Référence/description
1.	91064 – Crépine d'entrée prête-à-monter (G2) 2000-4000 AquaSurge
2.	91065 – Raccord de refoulement prêt-à-monter (G2) AquaSurge
3.	91067 – Couvercle de chambre à eau et joint torique prêts-à-monter (G2) 4000/5000 AquaSurge
4.	91069 – Poignée et pieds de pompe prêts-à-monter (G2) 4000/5000 AquaSurge
5.	45064 – Récepteur Smart Pump
6.	45016 – Turbine de rechange prête-à-monter pour pompes à débit réglable 2000-4000 AquaSurge

Pièces de rechange pour pompe de bassin AquaSurge 4000-8000 à débit réglable

N°	Référence/description
1.	45011 – Crépine d'entrée prête-à-monter pour pompes à débit réglable 4000-8000 AquaSurge
2.	91065 – Raccord de refoulement prêt-à-monter (G2) AquaSurge
3.	45014 – Couvercle de chambre à eau et joint torique prêts-à-monter pour pompes à débit réglable 4000-8000 AquaSurge
4.	45012 – Poignée et pieds prêts-à-monter pour pompes à débit réglable 4000-8000 AquaSurge
5.	45064 – Récepteur Smart Pump
6.	45017 – Turbine de rechange prête-à-monter pour pompes à débit réglable 4000-8000 AquaSurge



Informations sur la garantie

GARANTIE DE TROIS ANS

Aquascape garantit que la pompe de bassin à débit réglable AquaSurge sera exempte de défauts de fabrication pendant trois ans à compter de la date d'achat. Preuve d'achat requise. La garantie ne couvre pas les dommages résultant de problèmes d'alimentation électrique, d'un câblage inapproprié, de la foudre, d'une manipulation négligente, d'une mauvaise application, d'une mauvaise utilisation ou d'un manque d'entretien ou de soins raisonnables. La garantie ne couvre pas les pièces soumises à une usure normale, telles que les roues. Ce produit ne doit être utilisé qu'avec un accès constant et illimité à de l'eau douce, sans produits chimiques corrosifs comme le chlore ou le brome. Faire fonctionner la pompe à sec ou sans suffisamment d'eau peut provoquer une surchauffe des composants internes et endommager la pompe. Si lors de l'inspection d'Aquascape, la pompe montre des signes d'un défaut de fabrication, la responsabilité d'Aquascape se limite, au choix d'Aquascape, à la réparation du défaut, au remplacement du produit défectueux ou au remboursement du prix d'achat initial. La garantie exclut les frais de main d'œuvre, de retrait du produit, d'expédition et les dépenses liées à l'installation et à la réinstallation du produit. Tous les produits comprenant la plomberie (tuyaux, pompes, clapets anti-retour) doivent être correctement vidangés et hivernés, sinon la garantie est nulle et non avenue. Aucune responsabilité pour les pertes ou dommages de quelque nature que ce soit, qu'ils découlent de ou de l'utilisation du produit, qu'il soit défectueux ou non, n'est assumée par Aquascape, Inc. ou ses sociétés affiliées. Aquascape ne sera pas responsable de tout dommage accessoire, consécutif ou autre découlant d'une théorie du droit quelle qu'elle soit.

Pour plus de renseignements sur notre entreprise ou nos produits, veuillez vous rendre sur notre site Web aquascapeinc.com ou nous appeler au (866) 877-6637 (aux É.-U.) ou au (866) 766-3426 (au Canada).