



# ULTRA WATER PUMP

## Ultra 400 Water Pump

Item #91005

## Ultra 550 Water Pump

Item #91006

## Ultra 800 Water Pump

Item #91007

## Ultra 1100 Water Pump

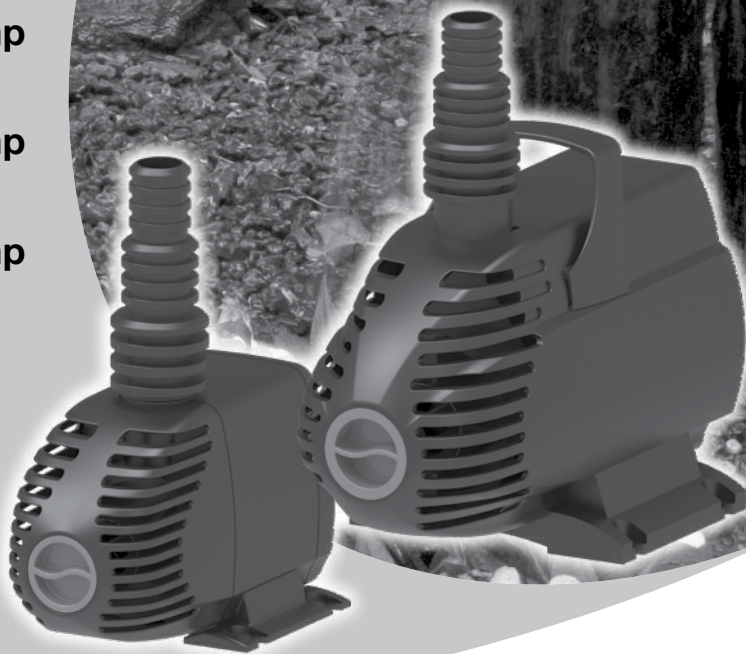
Item #91008

## Ultra 1500 Water Pump

Item #91009

## Ultra 2000 Water Pump

Item #91010





**Thank you for choosing the Aquascape Ultra Water Pump.** At Aquascape, we connect people to water the way nature intended. Since 1991 we've been creating and field-testing water features in order to provide you with the most reliable products and best value in the water gardening industry.



<b>TABLE OF CONTENTS</b>	
Introduction .....	2
Contents .....	3
Safety Information .....	3
Specifications Chart .....	4
Installation .....	4
General Maintenance .....	5
Winter Application .....	7
Troubleshooting .....	7
Replacement Parts .....	8
Warranty Information .....	8

## Ultra Water Pump

Aquascape Ultra Water Pumps are the complete solution for small ponds, fountains and water features. Each pump includes a single or three-way flow control valve, multi-hose adapter(s) and a threaded 90° elbow connection, making it adaptable to almost any hose or application. Ultra Water Pumps are ideal for supplying water to run fountains, water features, external filters, and spitting ornaments. The combination of energy-efficient mag-drive performance, flow, and ease of maintenance makes this pump the ideal choice for discriminating water feature owners.

### **Contact Us**

For more information about our company or products, please visit our website at [aquascapeinc.com](http://aquascapeinc.com) or call US (866) 877-6637 CAN (866) 766-3426.

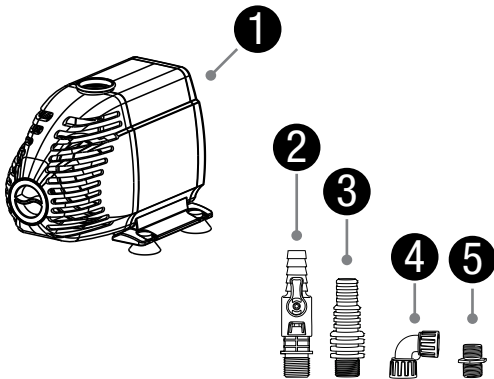
### **Find us on:**



[facebook.com/aquascapeinc](https://facebook.com/aquascapeinc)  
[youtube.com/aquascape4](https://youtube.com/aquascape4)  
[pinterest.com/aquascapeinc](https://pinterest.com/aquascapeinc)

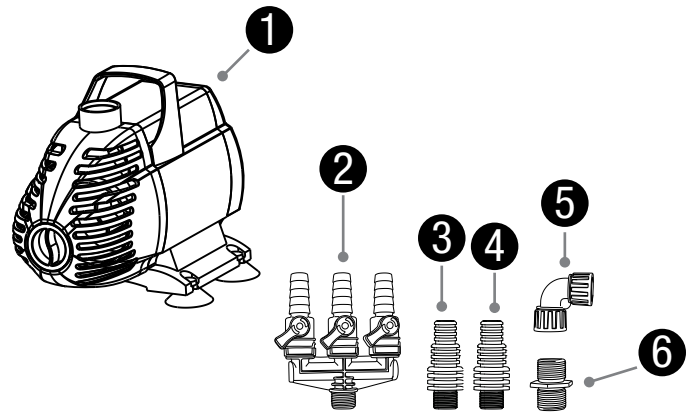
### Contents 400/550/800

No.	Description
1.	Ultra Water Pump
2.	1/2" Valve
3.	3/4", 1", 1 1/4" Multi-Hose Adapter
4.	FPT 90° Elbow 1/2"
5.	MPT Coupling 1/2"



### Contents 1100/1500/2000

No.	Description
1.	Ultra Water Pump
2.	3/4" 3-Way Valve
3.	1", 1 1/4", 1 1/2" Multi-Hose Adapter
4.	3/4", 1", 1 1/4" Multi-Hose Adapter
5.	FPT 90° Elbow 3/4"
6.	MPT Coupling 3/4"



## Safety Information



**WARNING:** Risk of electric shock – This pump has not been approved for use in swimming pool or marine areas



**WARNING:** To provide continued protection against risk of electric shock, connect to properly grounded, ground fault circuit interrupter (GFCI) outlets only, using the following guidelines:

- (A) Have a qualified electrician install a properly grounded receptacle outlet, acceptable for outdoor use and protected from snow and rain.
- (B) Inspect cord before using.
- (C) Do not use extension cords.
- (D) Any wiring of pumps should be performed by a qualified electrician to ensure code compliance and user safety.
- (E) Unplug pump at receptacle outlet when not in use or before removal from pond.
- (F) To reduce risk of electrical shock, all wiring and junction connections should be made per local codes. Requirements may vary depending on usage and location.
- (G) The power cable should be protected at all times to avoid punctures, cuts, bruises and abrasions.
- (H) Never handle power cords with wet hands.
- (I) Do not remove cord and strain relief. Do not connect conduit to pump.
- (J) Do not use power cable to lift pump.

- Always operate the pump fully submerged. Failure to do so will overheat the pump and cause it to fail, thus voiding the warranty. **DO NOT OPERATE DRY!**
- Use only in fully-assembled state, paying particular attention to be sure that both the filter screen and sponge are attached to the pump. Failure to operate the pump without the filter screen or pre-filter sponge will allow large debris to enter the pump, causing the pump to fail and voiding the warranty.
- Do not wear loose clothing that may become entangled in the impeller or other moving parts.
- Keep clear of suction and discharge openings. **DO NOT** insert fingers into pump with power connected.
- Do not pump hazardous materials or liquids other than water, such as oil or organic solvents.
- Do not block or restrict discharge.
- Products returned must be cleaned, sanitized or decontaminated, as necessary, prior to shipment to

ensure that employees will not be exposed to health hazards in handling said material. All applicable laws and regulations shall apply.



**IMPORTANT:** *Aquascape, Inc. is not responsible for losses, injury, or death resulting from a failure to observe these safety precautions, misuse or abuse of pumps or equipment.*

### Ultra Water Pump Specifications

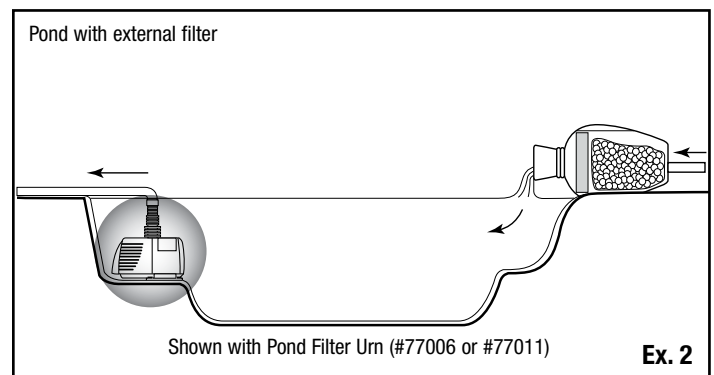
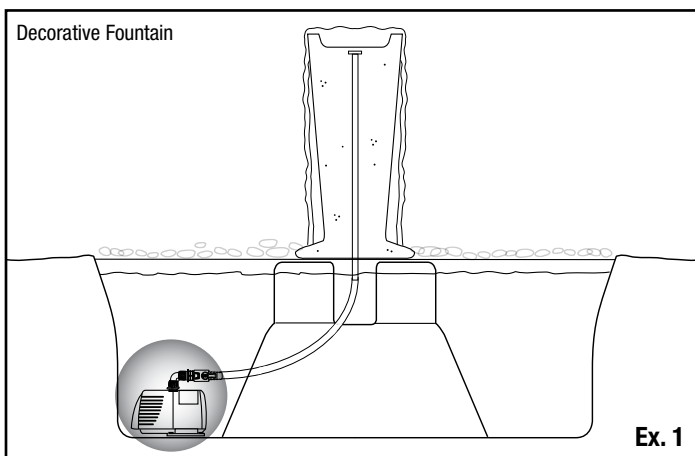
- Input Voltage: 120V AC
- Input Frequency: 60 Hz
- Submersible pump
- For outdoor or indoor use
- Thermally protected
- This pump has been evaluated for use with water only
- Input amps and wattage: See chart below

### Ultra Water Pump Specs

Model Number	400	550	800	1100	1500	2000
Max Flow Rate (GPH)	370	528	793	1110	1480	1982
Max Head Height	7.5'	8'	9'	12'	16.5'	20'
Motor Type	Mag-Drive	Mag-Drive	Mag-Drive	Mag-Drive	Mag-Drive	Mag-Drive
Wattage	24	33	58	92	153	250
Amperage	.40	.55	.80	.85	1.46	2.60
Power Cord Length	12'	12'	25'	25'	25'	25'
Discharge Hose Dia	½", ¾", 1", 1.25"	½", ¾", 1", 1.25"	½", ¾", 1", 1.25"	½", ¾", 1", 1.25"	½", ¾", 1", 1.25"	½", ¾", 1", 1.25"
Ideal Pipe Dia	½", 1"	½", 1"	½", 1"	¾", 1.25"	¾", 1.25"	¾", 1.25"
Pump Dims	9"L x 5"W x 5"H	9"L x 5.25"W x 5.25"H	9"L x 6.5"W x 6"H	9.5"L x 6.75"W x 7"H	10.5"L x 8"W x 8"H	10.5"L x 8"W x 9"H

## Installation

- The Ultra Water Pump is designed to be submerged directly into a decorative fountain basin (Ex. 1) or pond (Ex. 2). Several features and benefits of this pump make it the ideal choice for a wide variety of water feature applications.



- To maximize pond circulation, locate the pump as far away as possible from the location of the water entering back into the water feature.

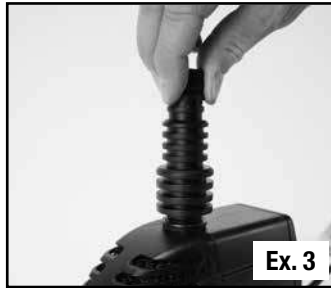


- It is recommended that the pump NOT be positioned in the deepest area of the pond. This will protect the fish by preventing the pond from completely draining in the case of a leak in the plumbing or filter. If needed, bricks or stones can be used to raise the pump off the bottom of the pond.

- The Ultra Water Pump includes an assortment of fittings for a wide variety of plumbing options. Select and install the appropriate fitting(s) for your application.

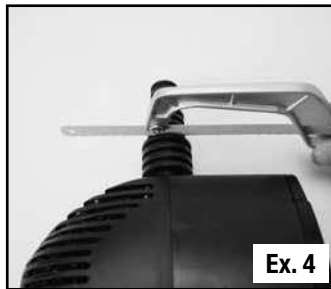
- The included Multi-Hose Adapter(s) is (are) designed to accommodate different diameters of tubing and ideal for applications using a single plumbing line.

- The Multi-Hose Adapter can be threaded directly into the discharge of the pump (Ex. 3).



Ex. 3

- If using a diameter of pipe that is larger than the smallest section of the Multi-Hose Adapter, trim off the smaller sections to prevent flow restriction (Ex. 4).



Ex. 4

- The included threaded FPT 90° elbow allows the water flow to be directed horizontally, perfect for fountain basin applications where vertical space is limited (Ex. 5).



Ex. 5

- To install the elbow, attach the included MPT Coupling to the discharge of the pump. Then thread the collared elbow fitting to the MPT Coupling to attach it to the pump.

- The collared connections allow the pump to be quickly and easily disconnected from the tubing for pump removal or maintenance.

- The convenient included 1/2" Valve (400/550/800) (Ex. 6) or 3/4" 3-Way Valve (1100/1500/2000) (Ex. 7) provide the ability to customize flow rates.



Ex. 6



Ex. 7

- The included flow control valve can be installed directly into the pump discharge or installed horizontally using the threaded FPT 90° elbow (Ex. 8).



Ex. 8

- Once installed, simply adjust the valve(s) to dial in the desired water flow.

- When using the 3-Way Valve, close off any unused valves to maximize water flow to the valves in use.

- Attach the tubing to the selected fitting(s) (Ex. 9) using a twisting motion (Ex. 10). If the tubing fits loosely, a hose clamp (not included) can be used to secure the attachment.



Ex. 9

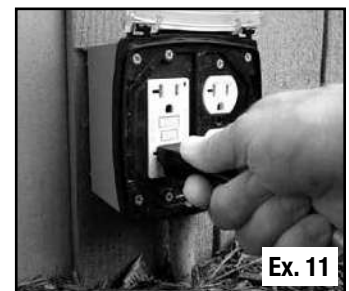
- In some instances the tubing may be difficult to attach to the selected fitting. If this is the case, we recommend heating the hose with a hair dryer or simply dipping the hose in very hot water for a few seconds prior to attachment. Lubrication can also be used; we recommend silicone grease or olive oil.



Ex. 10

- Connect the other end of the pump tubing to the decorative fountain or pond filter.

- Connect the pump to an outlet (Ex. 11) that is protected by a ground fault circuit interrupter (GFCI). Once the pump is running and water is circulating, check for leaks where the external connections are made.

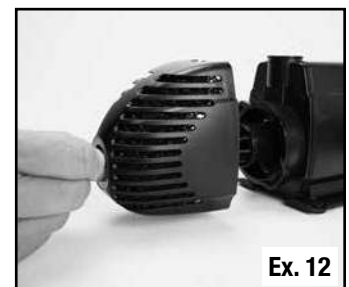


Ex. 11

## General Maintenance

- We recommend inspecting your pump on a regular basis to make sure it is functioning properly. If water flow is reduced, it may be due to the filter screen or sponge being clogged with debris.

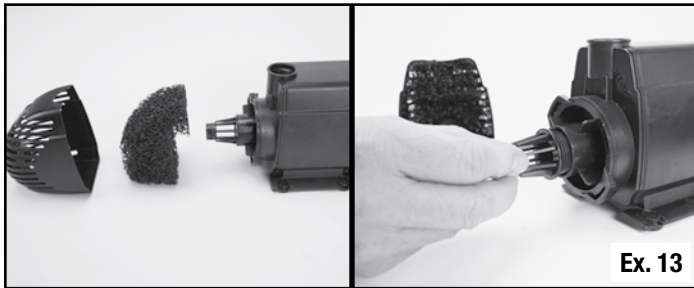
- The front screen can be removed by twisting the locking knob counter-clockwise and pulling the screen off (Ex. 12).



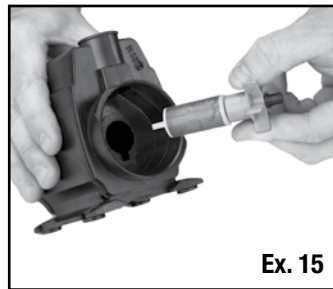
Ex. 12

**NOTE:** Always disconnect power before performing maintenance or removing the front cage. Do not operate with screens or sponge removed as it will void the warranty.

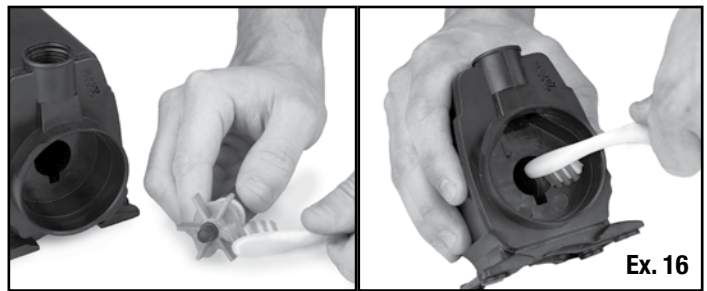
- The filter sponge protects the pump from fine particles such as sand which can damage the interior of the pump. Remove and clean the filter sponge as needed by rinsing with clean water.
- The inner filter screen should also be cleaned as needed. Remove the inner screen by twisting it counterclockwise (Ex. 13).



- Internal Pump Cleaning – If you have thoroughly cleaned the filter screens and sponge and still have diminished flow rates, you may need to clean the interior of the pump. Remove the water chamber cover by rotating it counter-clockwise ¼ turn and pulling outward (Ex. 14). This will expose the impeller assembly for closer inspection. Carefully remove the impeller from the pump, pulling outward until the impeller releases from the body of the pump (Ex. 15). Be careful not to lose the two plastic bearing washers on either end of the impeller or the centering bushings that center the ceramic impeller shaft on both ends.

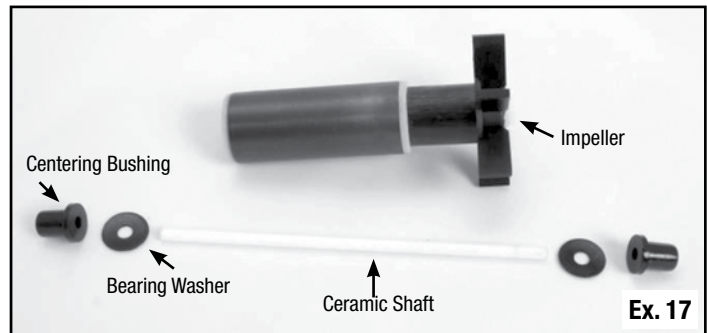


- If your rotor assembly impeller and internal pump body have excessive scale build-up, clean with a mild acid, such as white vinegar or non-abrasive calcium, lime and rust remover product. Use a sponge or soft-bristled brush that won't scratch or damage the impeller or pump body (Ex. 16). Removing scale build-up will allow your pump to run like new again.

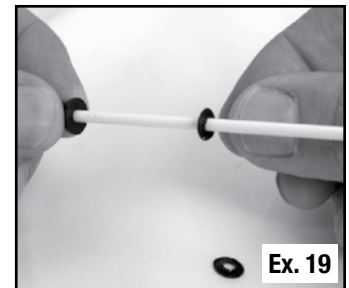
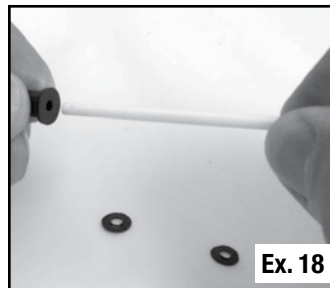


## REPLACING THE IMPELLER

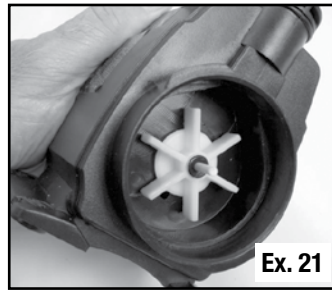
- The impeller assembly is the only moving part on the Ultra Water Pump and will experience wear and tear. If you've cleaned the pump, as described above, and still experience poor pump performance, it is most likely time to replace the impeller. Replacing the impeller is extremely easy. Replacement impeller kits are available through your local Aquascape dealer.
- Note the orientation of parts in the photo below (Ex. 17). The replacement impeller kits include all parts shown. Make sure to remove all of the original parts from the inside of the pump before installing the replacement impeller kit.



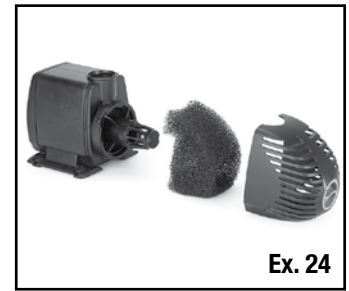
- A centering bushing is required on both ends of the impeller shaft; one bushing is located inside the pump and an outer bushing sits in the water chamber cover (Ex. 18).
- Slide the first interior bearing washer onto the ceramic shaft (Ex. 19).



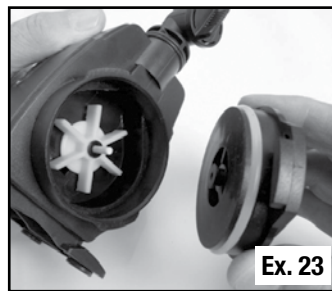
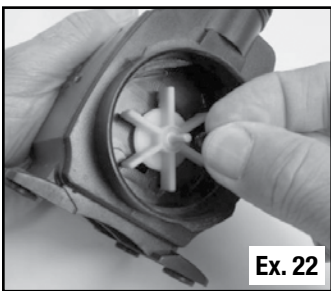
- Place the ceramic impeller shaft into the pump, checking to be sure the centering bushing seats inside the pump (Ex. 20).
- Carefully slide the impeller back onto the shaft (Ex. 21). Use caution: the impeller assembly is magnetic and will be pulled forcefully back into the pump.



- Replace the pre-filter sponge and filter screen before operating the pump. Using the pump without filter screens or sponge may damage the pump and will void the warranty (Ex. 24).



- Install second outer bearing washer over the impeller shaft (Ex. 22).
- Replace water chamber cover containing the impeller shaft centering bushing by sliding it over the impeller shaft and then rotating it clockwise to lock it into place over the tabs on the pump housing (Ex. 23).




---

## Winter Application

If concerned about possible freeze damage, disconnect the pump and remove the pump from the water. Clean the pump with fresh water and store the pump in a frost-free location. The pump can be run during cold weather, if desired, but should be removed in the event of a power failure to prevent any freeze damage to either the pump or the tubing.

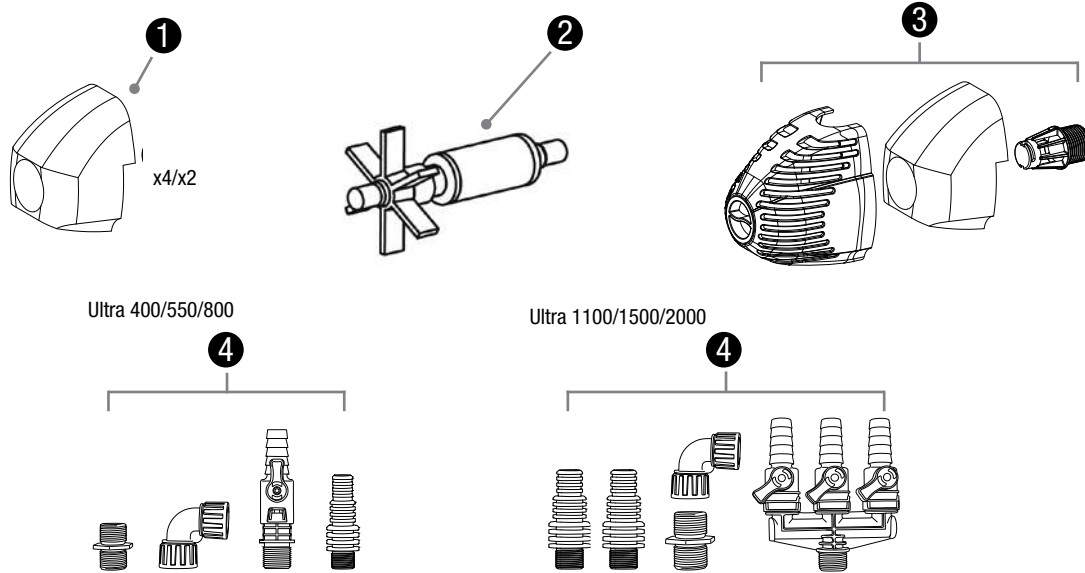
---

## Troubleshooting

- Reduced water flow
  - It may be necessary to clean the filter screen, sponge, and impeller.
- Pump hums but doesn't push water
  - It may be necessary to clean the filter screen, sponge, and impeller.
  - Remove the water chamber cover and inspect and clean the impeller rotor assembly and internal pump body.
  - Make sure nothing is blocking or wrapped around the impeller.
  - Make sure the pump is receiving the correct voltage.
- Pump not working
  - The ground-fault circuit-interrupter (GFCI) may have tripped.
  - The pump is not receiving the correct voltage.

# Replacement Parts

Ultra Water Pump Replacement Parts	
No.	Item number/description
1.	91033, 91034, 91035, 91036, 91037, 91038 – Ultra 400/550/800/1100/1500/2000 Filter Sponge
2.	91039, 91040, 91041, 91042, 91043, 91044 – Ultra 400/550/800/1100/1500/2000 Impeller Kit
3.	91050, 91051, 91052, 91053 – Ultra 400/550/800/1100/1500/2000 Front Cover Kit
4.	91055, 91057 – Ultra 400/550/800/1100/1500/2000 Discharge Fittings Kit



## Warranty Information

### 3 YEAR WARRANTY

Aquascape warrants that the Ultra Water Pump will be free of manufacturing defects for three years from date of purchase. Proof of purchase required. Warranty does not cover damage resulting from electrical supply problems, improper wiring, lightning, negligent handling, misapplication, misuse, or lack of reasonable maintenance or care.

Warranty does not cover parts subject to normal wear, such as impellers. This product should only be operated in fresh water, completely submerged, without corrosive chemicals like chlorine or bromine. If upon Aquascape's inspection, the pump shows evidence of a manufacturing defect, Aquascape's liability is limited, at Aquascape's option, to the repair of the defect, replacement of the defective product, or refund of the original purchase price.

The warranty excludes costs of labor, removal of product, shipping and expenses related to the installation and re-installation of the product. All products that include plumbing (tubing, pumps, check valves) need to be properly drained and winterized otherwise warranty is null and void. No liability for loss or damage of any nature or kind, whether arising out of or from the use of the product, whether defective or not defective, is assumed by Aquascape, Inc. or its affiliates. Aquascape shall not be liable for any incidental, consequential or other damages arising under any theory of law whatsoever.

For more information about our company or products, please visit our website at [aquascapeinc.com](http://aquascapeinc.com) or call us at US (866) 877-6637 CAN (866) 766-3426





# ULTRA WATER PUMP

## **Ultra 400 Water Pump**

Référence #91005

## **Ultra 550 Water Pump**

Référence #91006

## **Ultra 800 Water Pump**

Référence #91007

## **Ultra 1100 Water Pump**

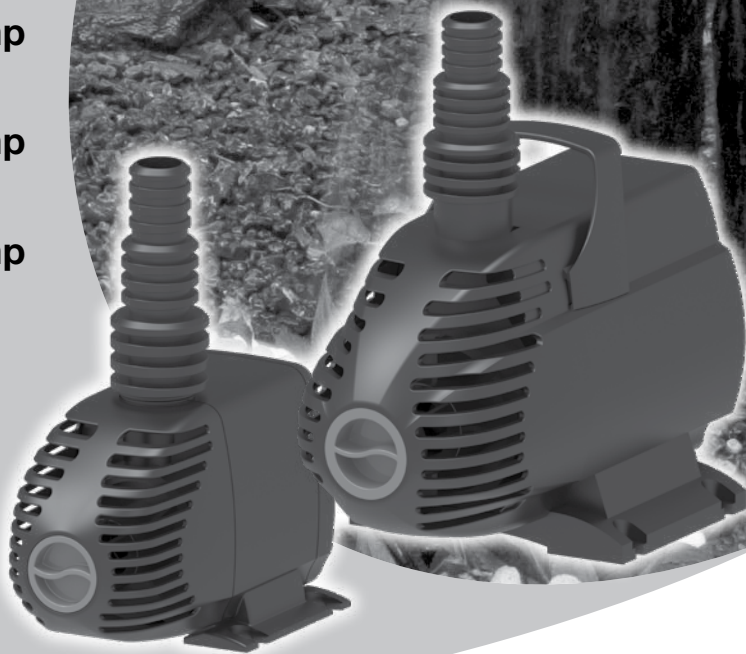
Référence #91008

## **Ultra 1500 Water Pump**

Référence #91009

## **Ultra 2000 Water Pump**

Référence #91010





**Merci d'avoir choisi la pompe à eau Aquascape Ultra.** Chez Aquascape, nous connectons les gens à l'eau comme le veut la nature. Depuis 1991, nous créons et testons sur le terrain des caractéristiques d'eau afin de vous fournir les produits les plus fiables et le meilleur rapport qualité-prix dans l'industrie de l'eau.



## TABLE DES MATIÈRES

Introduction .....	10
Contenu .....	11
Renseignements de sécurité .....	11
Tableau des caractéristiques .....	12
Installation .....	12
Entretien général .....	14
Application d'hiver .....	15
Dépannage.....	15
Pièces de rechange .....	16
Informations sur la garantie .....	16

## Pompe à eau ultra

Les pompes Aquascape Ultra<sup>MC</sup> sont la solution complète pour de petits plans d'eau, des fontaines et des aménagements aquatiques. Cet ensemble tout-en-un inclut une vanne directionnelle à trois voies et un raccord de tuyau à tailles multiples le rendant adaptable à presque n'importe quel tuyau ou taille de tube. Les pompes Ultra sont idéales pour fournir de l'eau aux fontaines, aux aménagements aquatiques, aux filtres externes et aux ornements cracheurs d'eau. La combinaison d'un excellent rendement en efficacité énergétique, du maintien de niveau d'eau élevé et d'une facilité d'entretien fait de cette pompe le choix idéal des propriétaires de plan d'eau exigeants.owners.

### **Communiquez avec nous**

Pour plus de renseignements sur notre entreprise ou nos produits, veuillez vous rendre sur notre site Web [aquascapeinc.com](http://aquascapeinc.com) ou appeler le (866) 877-6637 (aux É.-U.) ou le (866) 766-3426 (au Canada).

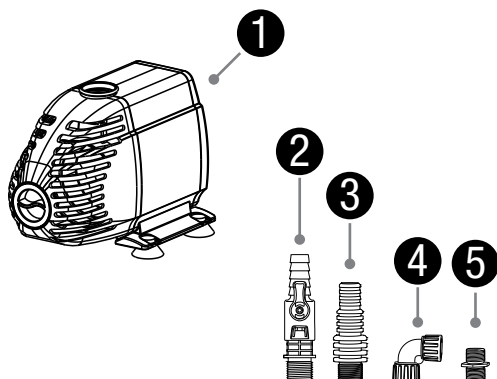
### **Rejoignez-nous sur :**



[facebook.com/aquascapeinc](https://facebook.com/aquascapeinc)  
[youtube.com/aquascape4](https://youtube.com/aquascape4)  
[pinterest.com/aquascapeinc](https://pinterest.com/aquascapeinc)

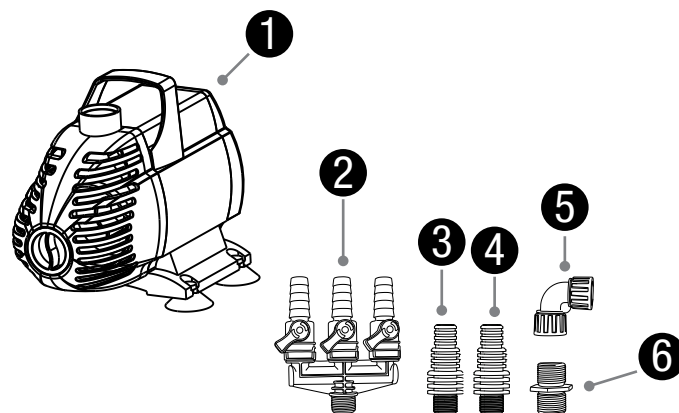
### Contenu 400/550/800

N°	Description
1.	Pompe à eau ultra
2.	Vanne ½ po
3.	Adaptateur multi-tuyaux ¾ po, 1 po, 1¼ po
4.	Coude FPT 900 ½ po
5.	Accouplement MPT ½ po



### Contenu 1100/1500/2000

N°	Description
1.	Pompe à eau ultra
2.	Vanne 3 voies ¾ po
3.	Adaptateur multi-tuyaux 1 po, 1¼ po, 1½ po
4.	Adaptateur multi-tuyaux ¾ po, 1 po, 1¼ po
5.	Coude FPT 900 ¾ po
6.	Accouplement MPT ¾ po



## Safety Information



**MISE EN GARDE** : risque de choc électrique – Cette pompe n'a pas été approuvée pour une utilisation en piscine ou en zones marines.



**MISE EN GARDE** : Afin d'assurer une protection continue contre le risque de décharge électrique, ne branchez le cordon qu'à une prise d'alimentation avec mise à la terre, en observant les directives suivantes :

- (A) Faites installer une prise de courant correctement mise à la terre convenant à une utilisation extérieure et protégée de la neige et de la pluie
- (B) Inspectez le cordon d'alimentation avant l'utilisation
- (C) N'utilisez pas de rallonge électrique
- (D) Tout câblage relié à la pompe devrait être exécuté par un électricien qualifié pour être en conformité avec les normes et s'assurer de la sécurité de l'utilisateur
- (E) Débranchez la pompe de la prise de courant lorsque vous ne vous en servez pas ou avant de la sortir du plan d'eau
- (F) Pour réduire le risque de décharge électrique, tout le câblage et les raccordements de jonction devraient être exécutés selon les normes locales. Les exigences peuvent varier en fonction de l'utilisation et de l'emplacement
- (G) Le câble électrique devrait être protégé en tout temps pour éviter les perforations, les coupures, les ecchymoses et les abrasions
- (H) Ne manipulez jamais les cordons d'alimentation avec les mains humides
- (I) N'enlevez pas le cordon et le dispositif de réduction de la tension. Ne joignez pas le conduit à la pompe
- (J) Ne soulevez pas la pompe par le cordon d'alimentation



- Faites toujours fonctionner la pompe complètement immergée. Le non-respect de cette consigne entraînera une surchauffe de la pompe et sa défaillance, annulant ainsi la garantie. **NE PAS FONCTIONNER À SEC !**
- N'utiliser qu'à l'état entièrement assemblé, en faisant particulièrement attention à ce que le tamis filtrant et l'éponge soient fixés à la pompe. Le fait de ne pas faire fonctionner la pompe sans tamis filtrant ou éponge de préfiltre permettra à de gros débris d'entrer dans la pompe, provoquant la défaillance de la pompe et l'annulation de la garantie.
- Ne portez pas de vêtements amples qui pourraient s'emmêler dans la turbine ou d'autres pièces mobiles.
- Tenir à l'écart des ouvertures d'aspiration et de refoulement. **NE PAS** insérer les doigts dans la pompe lorsque l'alimentation est connectée.
- Ne pompez pas de matières dangereuses ou de liquides autres que l'eau, tels que de l'huile ou des solvants organiques.
- Ne pas bloquer ou restreindre la décharge.
- Les produits retournés doivent être nettoyés, désinfectés ou décontaminés, si nécessaire, avant l'expédition pour

s'assurer que les employés ne seront pas exposés à des risques pour la santé lors de la manipulation dudit matériel. Toutes les lois et réglementations applicables s'appliquent.



**IMPORTANT :** *Aquascape, Inc. n'est pas responsable des pertes, blessures ou décès résultant du non-respect de ces précautions de sécurité, de la mauvaise utilisation ou de l'abus des pompes ou de l'équipement.*

### Spécifications de la pompe à eau Ultra

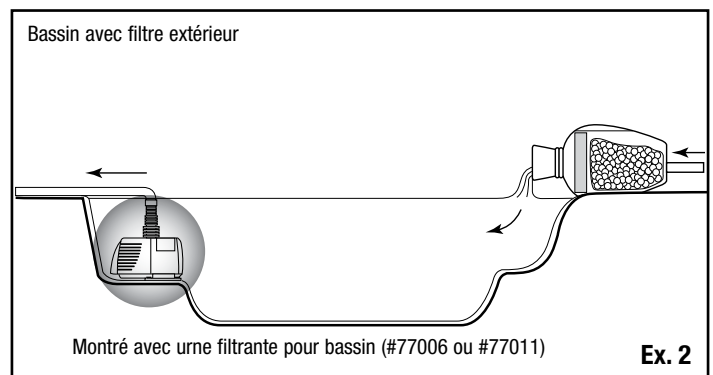
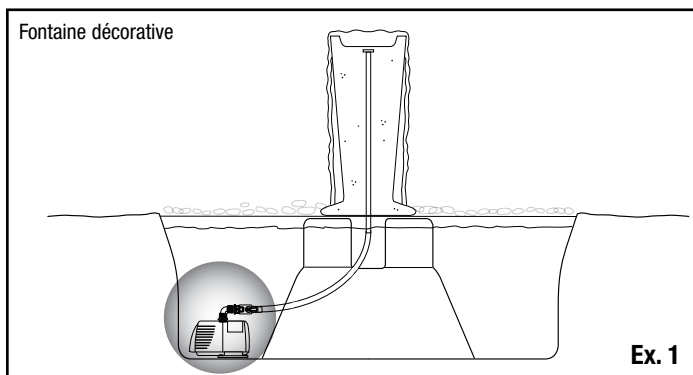
- Tension d'entrée : 120 V CA
- Fréquence d'entrée : 60 Hz
- Pompe submersible
- Pour usage extérieur ou intérieur
- Protection thermique
- Cette pompe a été évaluée pour une utilisation avec de l'eau uniquement
- Ampères et puissance d'entrée : voir le tableau ci-dessous

### Spécifications de la pompe à eau Ultra

Numéro de modèle	400	550	800	1100	1500	2000
Débit maximum (GPH)	370	528	793	1110	1480	1982
Hauteur maximale de la tête	7,5 pi	8 pi	9 pi	12 pi	16,5 pi	20 pi
Type de moteur	Mag-Drive	Mag-Drive	Mag-Drive	Mag-Drive	Mag-Drive	Mag-Drive
Puissance	24	33	58	92	153	250
Intensité de courant	,40	,55	,80	,85	1,46	2,60
Longueur du cordon d'alimentation	12 pi	12 pi	25 pi	25 pi	25 pi	25 pi
Diamètre du tuyau de refoulement	½ po, ¾ po, 1 po, 1,25 po	½ po, ¾ po, 1 po, 1,25 po	½ po, ¾ po, 1 po, 1,25 po	½ po, ¾ po, 1 po, 1,25 po	½ po, ¾ po, 1 po, 1,25 po	½ po, ¾ po, 1 po, 1,25 po
Diamètre de tuyau idéal	½ po, 1 po	½ po, 1 po	½ po, 1 po	¾ po, 1,25 po	¾ po, 1,25 po	¾ po, 1,25 po
La pompe s'assombrit	9 po L x 5 po W x 5 po H	9 po L x 5,25 po W x 5,25 po H	9 po L x 6,5 po W x 6 po H	9,5 po L x 6,75 po W x 7 po H	10,5 po L x 8 po W x 8 po H	10,5 po L x 8 po W x 9 po H

## Installation

- La pompe à eau Ultra est conçue pour être immergée directement dans un bassin de fontaine décorative (Ex. 1) ou un étang (Ex. 2). Plusieurs caractéristiques et avantages de cette pompe en font le choix idéal pour une grande variété d'applications de jeux d'eau.





- Pour maximiser la circulation dans l'étang, placez la pompe aussi loin que possible de l'endroit où l'eau retourne dans la pièce d'eau.
- Il est recommandé de NE PAS positionner la pompe dans la zone la plus profonde du bassin. Cela protégera le poisson en empêchant l'étang de se vider complètement en cas de fuite dans la plomberie ou le filtre. Si nécessaire, des briques ou des pierres peuvent être utilisées pour soulever la pompe du fond de l'étang.

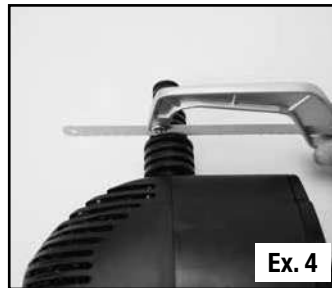
- La pompe à eau Ultra comprend un assortiment de raccords pour une grande variété d'options de plomberie. Sélectionnez et installez le(s) raccord(s) approprié(s) pour votre application.

- Le ou les adaptateurs multi-tuyaux inclus sont conçus pour s'adapter à différents diamètres de tuyaux et sont idéaux pour les applications utilisant une seule ligne de plomberie.

- L'adaptateur multi-tuyaux peut être vissé directement dans le refoulement de la pompe (Ex. 3).



- Si vous utilisez un diamètre de tuyau plus grand que la plus petite section de l'adaptateur multi-tuyau, coupez les plus petites sections pour éviter la restriction du débit (Ex. 4).



- Le coude FPT 90° fileté inclus permet de diriger le débit d'eau horizontalement, parfait pour les applications de bassin de fontaine où l'espace vertical est limité (Ex. 5).



- Pour installer le coude, fixez le raccord MPT inclus au refoulement de la pompe. Vissez ensuite le raccord coudé à collier sur le raccord MPT pour le fixer à la pompe.

- Les connexions à collier permettent à la pompe d'être rapidement et facilement déconnectée de la tubulure pour le retrait ou l'entretien de la pompe.

- La vanne 1/2" (400/550/800) (Ex. 6) ou la vanne 3 voies 3/4" (1100/1500/2000) (Ex. 7) incluse et pratique offre la possibilité de personnaliser les débits.



- La vanne de régulation de débit incluse peut être installée directement dans le refoulement de la pompe ou installée horizontalement à l'aide du coude fileté FPT à 90° (Ex. 8).



- Une fois installé, ajustez simplement la ou les vannes pour régler le débit d'eau souhaité.

- Lorsque vous utilisez la vanne à 3 voies, fermez toutes les vannes inutilisées pour maximiser le débit d'eau vers les vannes utilisées.

- Attachez le tube au(x) raccord(s) sélectionné(s) (Ex. 9) en utilisant un mouvement de torsion (Ex. 10). Si le tube est mal ajusté, un collier de serrage (non inclus) peut être utilisé pour fixer la fixation.

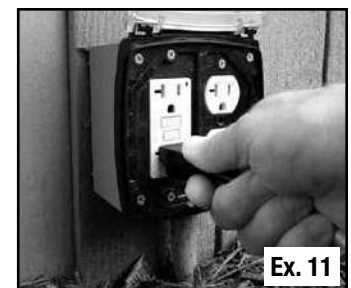


- Dans certains cas, le tube peut être difficile à attacher au raccord sélectionné. Si tel est le cas, nous vous recommandons de chauffer le tuyau avec un sèche-cheveux ou simplement de plonger le tuyau dans de l'eau très chaude pendant quelques secondes avant de le fixer. La lubrification peut également être utilisée ; nous recommandons la graisse de silicone ou l'huile d'olive.



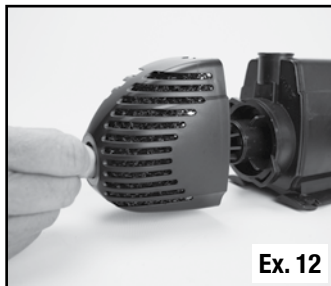
- Connectez l'autre extrémité du tube de la pompe à la fontaine décorative ou au filtre de bassin.

- Connectez la pompe à une sortie (Ex. 11) qui est protégée par un disjoncteur de fuite à la terre (GFCI). Une fois que la pompe fonctionne et que l'eau circule, vérifiez s'il y a des fuites au niveau des connexions externes.



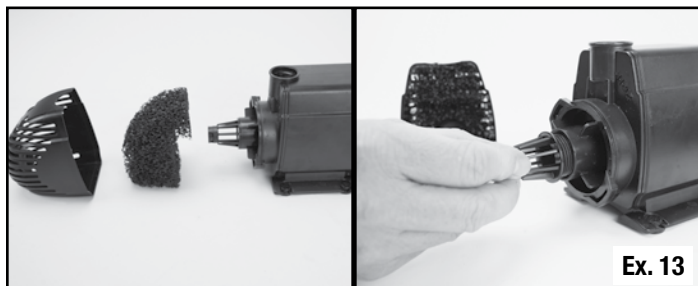
## Entretien général

- Nous vous recommandons d'inspecter régulièrement votre pompe pour vous assurer qu'elle fonctionne correctement. Si le débit d'eau est réduit, cela peut être dû au fait que le tamis ou l'éponge du filtre est obstrué par des débris.
- L'écran avant peut être retiré en tournant le bouton de verrouillage dans le sens inverse des aiguilles d'une montre et en tirant sur l'écran (Ex. 12).

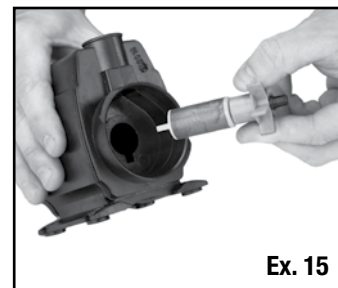


**REMARQUE :** Débranchez toujours l'alimentation avant d'effectuer l'entretien ou de retirer la cage avant. Ne pas utiliser avec des écrans ou une éponge retirés car cela annulerait la garantie.

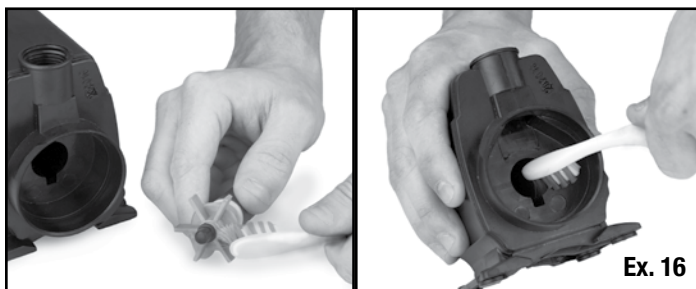
- L'éponge filtrante protège la pompe des particules fines telles que le sable qui peuvent endommager l'intérieur de la pompe. Retirez et nettoyez l'éponge filtrante au besoin en la rinçant à l'eau claire.
- Le tamis du filtre intérieur doit également être nettoyé au besoin. Retirez l'écran intérieur en le tournant dans le sens inverse des aiguilles d'une montre (Ex. 13).



- Nettoyage interne de la pompe – Si vous avez soigneusement nettoyé les tamis et l'éponge du filtre et que les débits sont toujours réduits, vous devrez peut-être nettoyer l'intérieur de la pompe. Retirez le couvercle de la chambre à eau en le tournant d'1/4 de tour dans le sens inverse des aiguilles d'une montre et en le tirant vers l'extérieur (Ex. 14). Cela exposera l'ensemble de turbine pour une inspection plus approfondie. Retirez délicatement la turbine de la pompe, en la tirant vers l'extérieur jusqu'à ce que la turbine se dégage du corps de la pompe (Ex. 15). Veillez à ne pas perdre les deux rondelles de roulement en plastique à chaque extrémité de la roue ou les bagues de centrage qui centrent l'arbre de la roue en céramique aux deux extrémités.

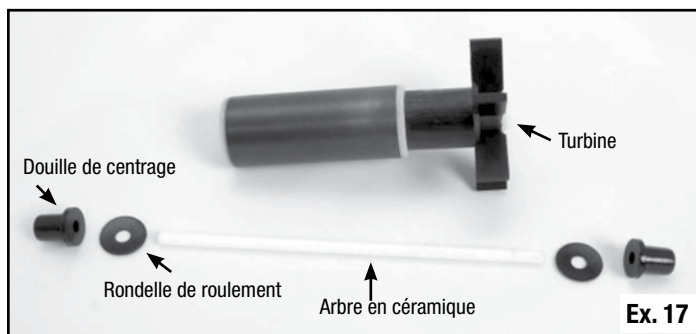


- Si la roue de votre ensemble rotor et le corps de la pompe interne présentent une accumulation excessive de tartre, nettoyez-les avec un acide doux, tel que du vinaigre blanc ou un produit non abrasif pour le calcium, le calcaire et la rouille. Utilisez une éponge ou une brosse à poils doux qui ne rayera pas et n'endommagera pas la turbine ou le corps de la pompe (Ex. 16). L'élimination de l'accumulation de tartre permettra à votre pompe de fonctionner à nouveau comme si elle était neuve.

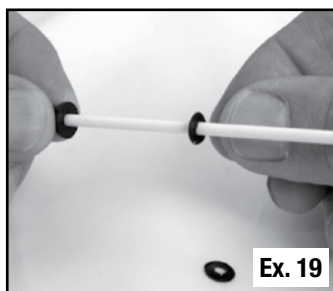
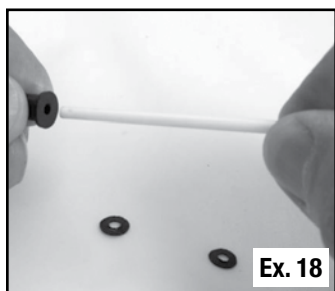


## REMPACEMENT DE LA TURBINE

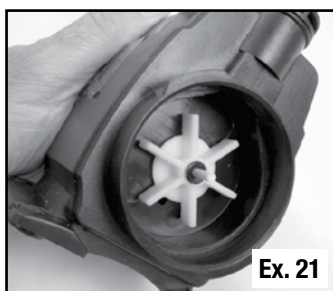
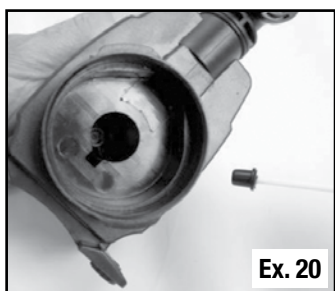
- L'ensemble de turbine est la seule pièce mobile de la pompe à eau Ultra et subira une usure normale. Si vous avez nettoyé la pompe, comme décrit ci-dessus, et que les performances de la pompe sont toujours médiocres, il est probablement temps de remplacer la turbine. Le remplacement de la turbine est extrêmement simple. Des kits de roue de remplacement sont disponibles auprès de votre revendeur Aquascape local.
- Notez l'orientation des pièces sur la photo ci-dessous (Ex. 17). Les kits de roue de remplacement comprennent toutes les pièces illustrées. Assurez-vous de retirer toutes les pièces d'origine de l'intérieur de la pompe avant d'installer le kit de roue de remplacement.



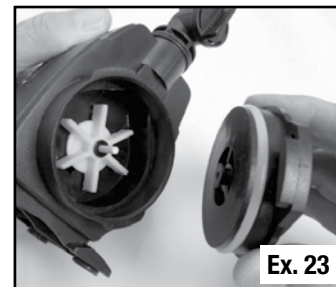
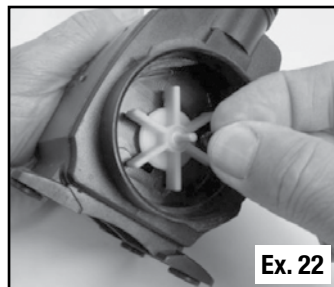
- Une douille de centrage est requise aux deux extrémités de l'arbre de la roue ; une bague est située à l'intérieur de la pompe et une bague extérieure se trouve dans le couvercle de la chambre à eau (Ex. 18).
- Glissez la première rondelle de roulement intérieure sur l'arbre en céramique (Ex. 19).



- Placer l'arbre de la turbine en céramique dans la pompe, en vérifiant que la bague de centrage repose à l'intérieur de la pompe (Ex. 20).
- Faites glisser avec précaution la turbine sur l'arbre (Ex. 21). Soyez prudent : l'ensemble de turbine est magnétique et sera rétracté avec force dans la pompe.



- Installez la deuxième rondelle de roulement extérieure sur l'arbre de la turbine (Ex. 22).
- Remettez le couvercle de la chambre à eau contenant la bague de centrage de l'arbre de la turbine en le faisant glisser sur l'arbre de la turbine, puis en le tournant dans le sens des aiguilles d'une montre pour le verrouiller en place sur les languettes du boîtier de la pompe (Ex. 23).



- Remplacez l'éponge du préfiltre et le tamis filtrant avant de faire fonctionner la pompe. L'utilisation de la pompe sans tamis filtrant ou éponge peut endommager la pompe et annuler la garantie (Ex. 24).



## Application d'hiver

Si vous vous inquiétez d'éventuels dommages dus au gel, débranchez la pompe et retirez-la de l'eau. Nettoyer la pompe à l'eau douce et ranger la pompe à l'abri du gel. La pompe peut fonctionner par temps froid, si vous le souhaitez, mais doit être retirée en cas de panne de courant pour éviter tout dommage causé par le gel à la pompe ou à la tubulure.

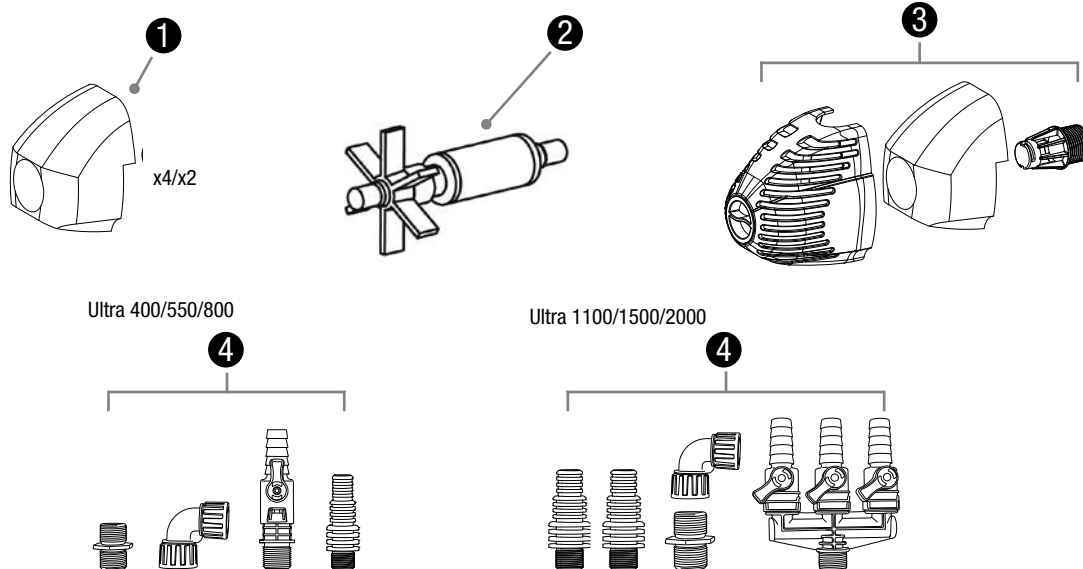
## Dépannage

- Débit d'eau réduit
  - Il peut être nécessaire de nettoyer le tamis du filtre, l'éponge et la turbine.
- La pompe bourdonne mais ne pousse pas l'eau
  - Il peut être nécessaire de nettoyer le tamis du filtre, l'éponge et la turbine.
  - Retirez le couvercle de la chambre à eau et inspectez et nettoyez l'ensemble rotor de turbine et le corps interne de la pompe.
  - Assurez-vous que rien ne bloque ou ne s'enroule autour de la turbine.
  - Assurez-vous que la pompe reçoit la bonne tension.
- La pompe ne fonctionne pas
  - Le disjoncteur de fuite à la terre (GFCI) peut s'être déclenché.
  - La pompe ne reçoit pas la tension correcte.

## Pièces de rechange

### Pièces de rechange pour pompe à eau Ultra

N°	Référence/description
1.	91033, 91034, 91035, 91036, 91037, 91038 – Éponge filtrante Ultra 400/550/800/1100/1500/2000
2.	91039, 91040, 91041, 91042, 91043, 91044 – Kit de turbine Ultra 400/550/800/1100/1500/2000
3.	91050, 91051, 91052, 91053 – Kit de couvercle avant Ultra 400/550/800/1100/1500/2000
4.	91055, 91057 – Kit de raccords de décharge Ultra 400/550/800/1100/1500/2000



## Informations sur la garantie

### GARANTIE DE TROIS ANS

Aquascape garantit que la pompe à eau Ultra sera exempte de défauts de fabrication pendant trois ans à compter de la date d'achat. Preuve d'achat requise. La garantie ne couvre pas les dommages résultant de problèmes d'alimentation électrique, d'un câblage incorrect, de la foudre, d'une manipulation négligente, d'une mauvaise application, d'une mauvaise utilisation ou d'un manque d'entretien ou de soins raisonnables. La garantie ne couvre pas les pièces soumises à une usure normale, telles que les roues à aubes. Ce produit ne doit être utilisé que dans de l'eau douce, complètement immergée, sans produits chimiques corrosifs comme le chlore ou le brome. Si, lors de l'inspection d'Aquascape, la pompe présente des preuves d'un défaut de fabrication, la responsabilité d'Aquascape est limitée, au choix d'Aquascape, à la réparation du défaut, au remplacement du produit défectueux ou au remboursement du prix d'achat d'origine. La garantie exclut les frais de main-d'œuvre, de retrait du produit, d'expédition et les dépenses liées à l'installation et à la réinstallation du produit. Tous les produits qui incluent la plomberie (tubes, pompes, clapets anti-retour) doivent être correctement drainés et hivernés, sinon la garantie est nulle et non avenue. Aucune responsabilité pour les pertes ou dommages de quelque nature que ce soit, résultant de ou de l'utilisation du produit, qu'il soit défectueux ou non, n'est assumée par Aquascape, Inc. ou ses sociétés affiliées. Aquascape ne sera pas responsable des dommages accessoires, indirects ou autres résultant d'une quelconque théorie du droit.

Pour plus de renseignements sur notre entreprise ou nos produits, veuillez vous rendre sur notre site Web [aquascapeinc.com](http://aquascapeinc.com) ou nous appeler au (866) 877-6637 (aux É.-U.) ou au (866) 766-3426 (au Canada).